

NEW

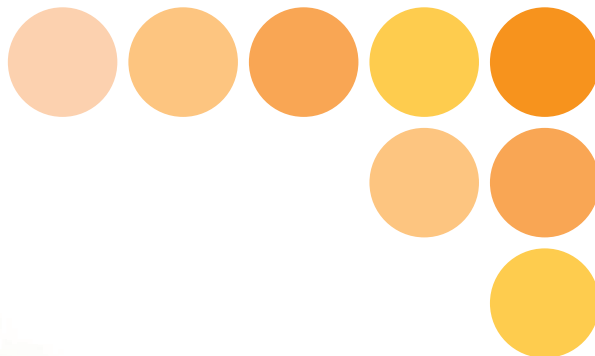
OMRON

RFID System

V680 Series

Next-Generation RFID System
Conforming to ISO/IEC 18000-3
(ISO/IEC 15693).

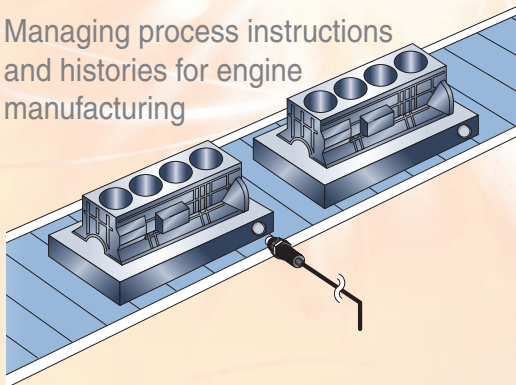
New ID Sensor Units
for CJ1/CS1 PLCs and New M12 Antenna.



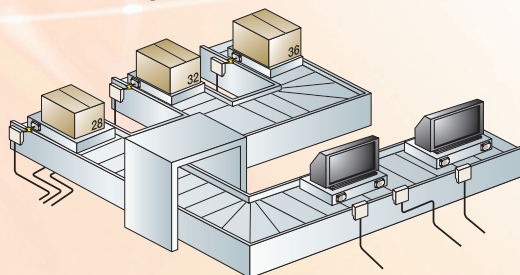
Visualize data transmission on production lines.



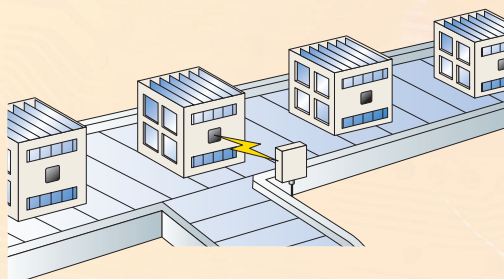
Managing process instructions and histories for engine manufacturing



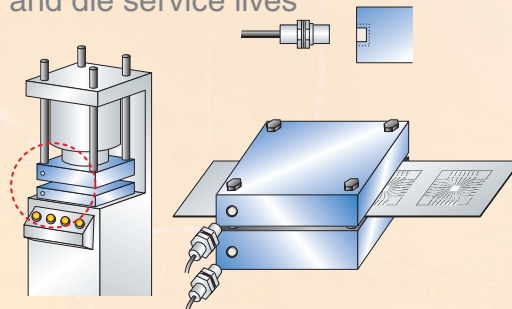
Managing manufacturing process traceability



Managing the manufacture of LCDs and color filters



Managing dies, die histories, and die service lives



realizing

Versatile Functions for Optimal Use on Production Lines

Conforms to ISO/IEC 18000-3 (ISO/IEC 15693)

Can be used in many countries around the world.

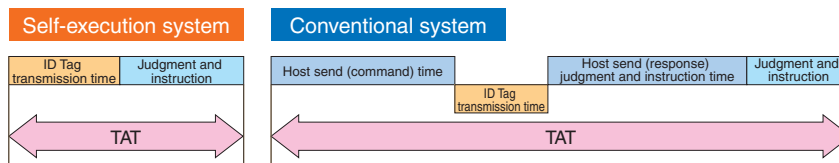
The V680 Series can be used in many parts of the world because it meets the requirements of radio wave regulations in Japan, Europe, the U.S.A., Canada, Mexico, Singapore, Malaysia, the Philippines, China, Hong Kong, Taiwan, and Korea. Contact your OMRON sales representative for details on use in other countries.

Note: The requirements of radio wave regulations have been met in the countries listed above for combinations of a V680-HA63A or V680-HA63B Amplifier and a V680-HS52, V680-HS63, or V680-HS65 Antenna (application pending in Mexico). The V680-CH and V680-H01 Antennas and combinations of a V680-HA63A or V680-HA63B Amplifier and a V680-HS51 Antenna meet the requirements of radio wave regulations in Japan, Europe, the U.S.A., and Canada. Application is in progress in other countries.

Enables High-speed Data Transmission

High-speed transmission of 27 kbps achieved.

The V680 Series offers data transmission speeds as high as 27 kbps at an operating frequency of 13.56 MHz, and dramatically shortens turn around time (TAT) with a Self-execution Mode that eliminates the need for host access.



A Wide Range of ID Tags Available for Various Production Lines

These ultra-compact Tags also feature high environmental durability, long service lives, and maintenance-free operation.

- ID Tags can be either embedded in metal or mounted on non-metallic objects without requiring any extra attachments.
- A long service life enables 10 billion accesses.
- A new battery-less model with a large, 32-Kbyte capacity has been added to the line-up. In addition to managing the growing amount of production and quality data on today's factory floors, this new Tag makes it easy to build a system with traceability.
- The V680 Series features the same level of environmental durability as the previous V600 Series.



10
billion
accesses
Long service life

Battery-less

No Changes Needed when Switching from an Existing System

The V680 Series also supports V600-series commands, so there is no need to change command systems.

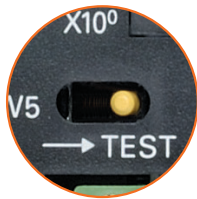
Easier Startup and Maintenance. Simpler Operation.

Lets You Visualize Data Transmission

Contributes to higher efficiency for on-site startup and maintenance.

Seven maintenance modes make it easy to diagnose the optimal usage conditions for the V680 RFID System. Startup is also easier because the system can be checked without having to use a personal computer or other host device.

Maintenance modes are quickly switched with the DIP switch on the front of the Controller.



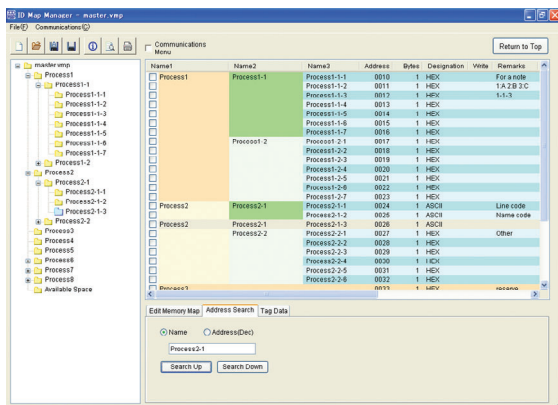
The Amplifier Unit is also equipped with an indicator that displays the communications condition, for easy confirmation from the location nearest the production line.



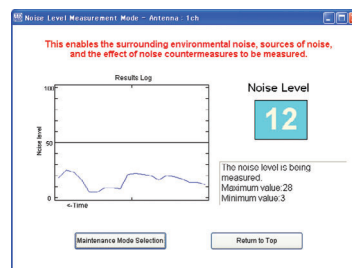
Strong Support for Creating ID Tag Memory Maps

Using the ID Map Manager dramatically shortens the time required to allocate ID Tag memory and complete system designs.

Work efficiency is greatly increased because the ID Map Manager includes an ID Tag read/write test function and communications checking function in addition to memory map definition and editing functions. Memory map data created by the ID Map Manager can also be easily shared between the production line design department and the vendors that are building the line.



V680-A-IMMEG-P01



Visualize Data Transmission without the Need for a Host Device. Perform Simple Diagnosis of Communications Conditions.

Distance Level Measurement Mode

Confirms correct mounting positions for the Read/Write Antenna and ID Tag.

The distance between the Read/Write Antenna and ID Tag mounting locations relative to the communications range is displayed using six levels.

Controller

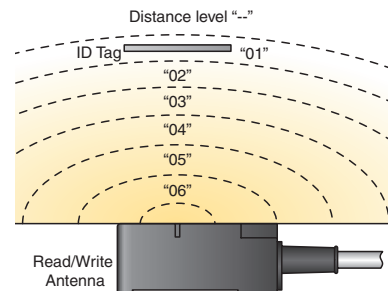


Distant



Close

Amplifier Unit



Noise Level Measurement Mode

Confirms spatial noise, noise sources, and noise countermeasure effects.

Measures the ambient noise level and displays it in levels ranging from 00 to 99.

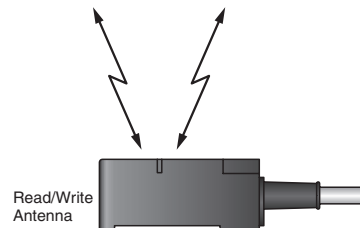
Controller



Little noise



Much noise



Speed Level Measurement Mode (Read/Write)

Confirms the speed of moving ID Tags and the number of usable bytes.

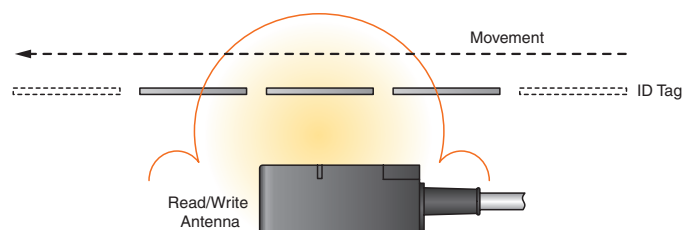
Data is transmitted repeatedly to moving ID Tags, and the number of successful communications and speed level are displayed in levels ranging from 01 to 99.

(No data is actually written to the ID Tags during the write part of the Speed Level Measurement Mode.)

Controller



More than 99 successful communications



Seven maintenance modes make it easy to diagnose the communications conditions from the front panel of the Controller or Amplifier Unit. The data can also be output from the USB port of the Controller to a personal computer or other monitoring device.

(Maintenance Mode cannot be used with the V680-H01 or V680-CH.)

Communications Success Rate Measurement Mode

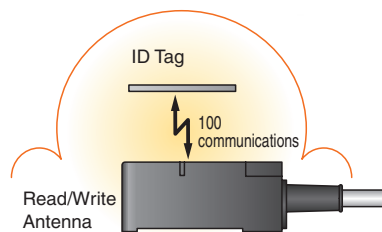
Confirms the communications success rate between the Read/Write Antenna and ID Tags.

A total of 100 communications are executed without retries, and the rate of communications success is displayed in levels ranging from 01 to 99.

Controller



Communications successes: 23

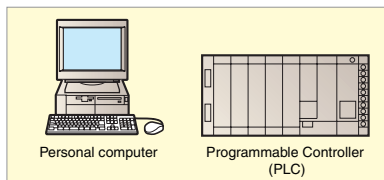


Host Device Communications Monitor Mode (Protocol Analyzer Function)

This mode can be used as a protocol analyzer function for host device communications lines.

The communications commands sent from the host device and the execution result responses can be output from the USB port of the Controller.

Host device



Command: RDSTH100100010*CR

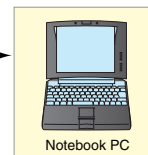
Response: RD72*CR

Monitor: RDSTH100100010*CR

RD72*CR

Read/Write Antenna

Monitor



Tag Communications Test Mode

Confirms communications ability between the Read/Write Antenna and ID Tags.

The end codes are displayed to show the results of communications between the Read/Write Antenna and ID Tags. When the Controller is mounted inside a control panel, or in some other location, this data can be output from the Controller's USB port and easily checked on a monitor.

(The Tag Communications Test Mode uses only read operations.)

Controller



Normal communication



Communications error

Host Device Communications Confirmation Mode

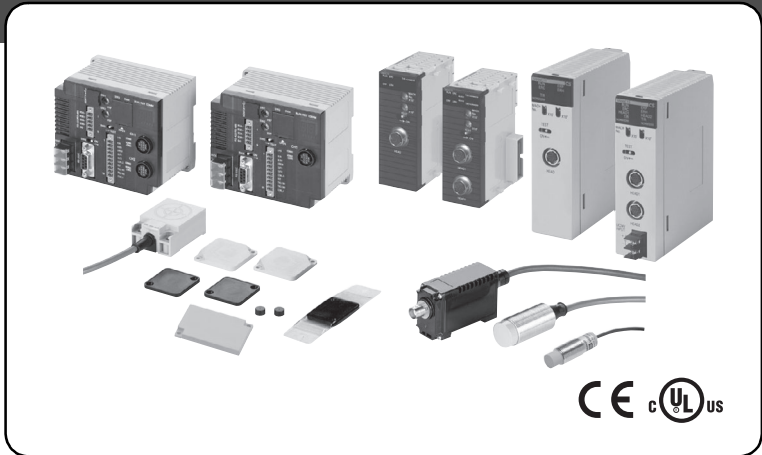
Confirms whether the signals sent from the Controller are being correctly transferred to an external device.

The communications commands and responses between the Controller and a host device are output from the Controller's USB port for easy identification of problems, such as incorrect communications parameters or wiring.

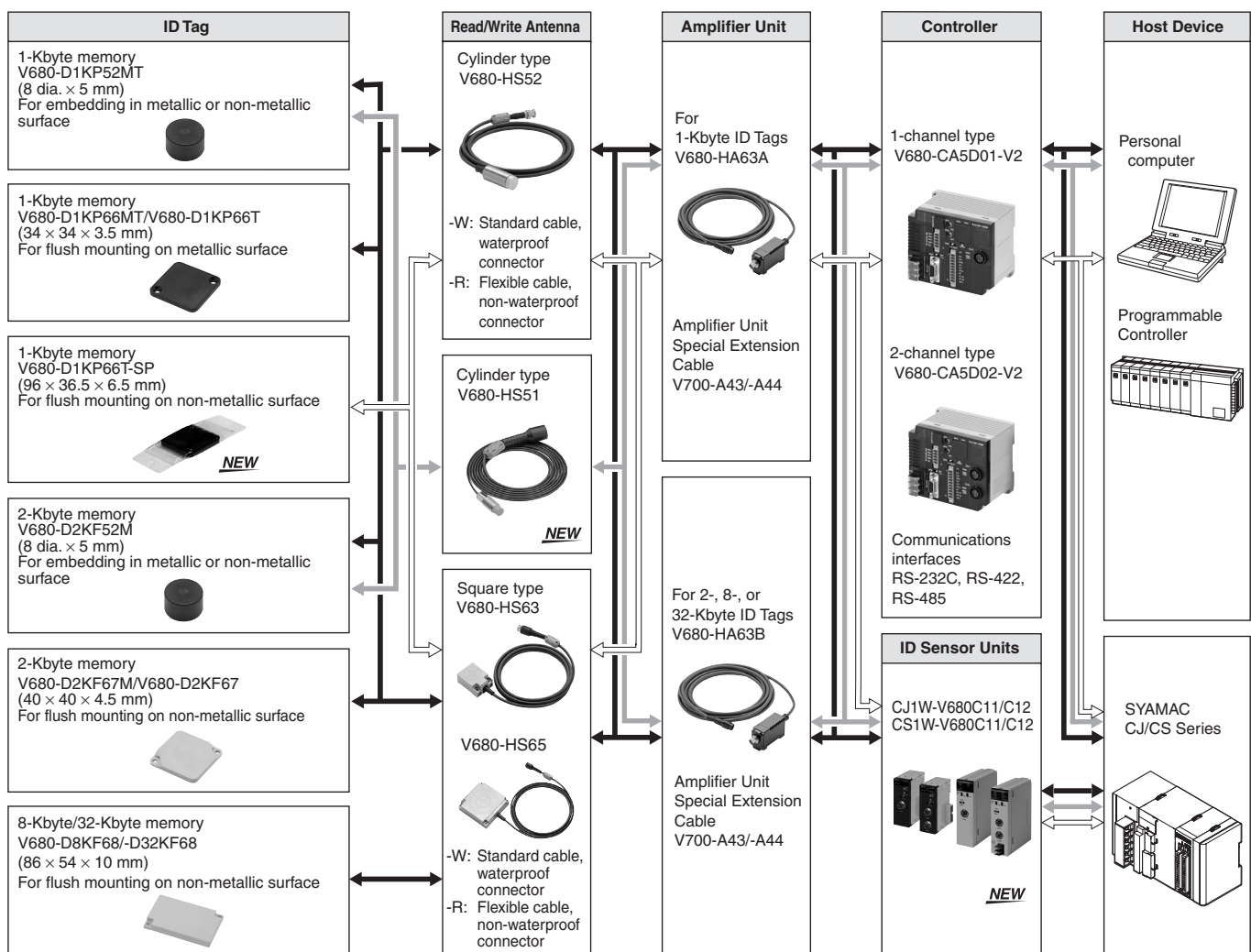
RFID System V680 Series

New, Next-generation RFID Systems with ISO/IEC 18000-3 (ISO/IEC15693) Compliance

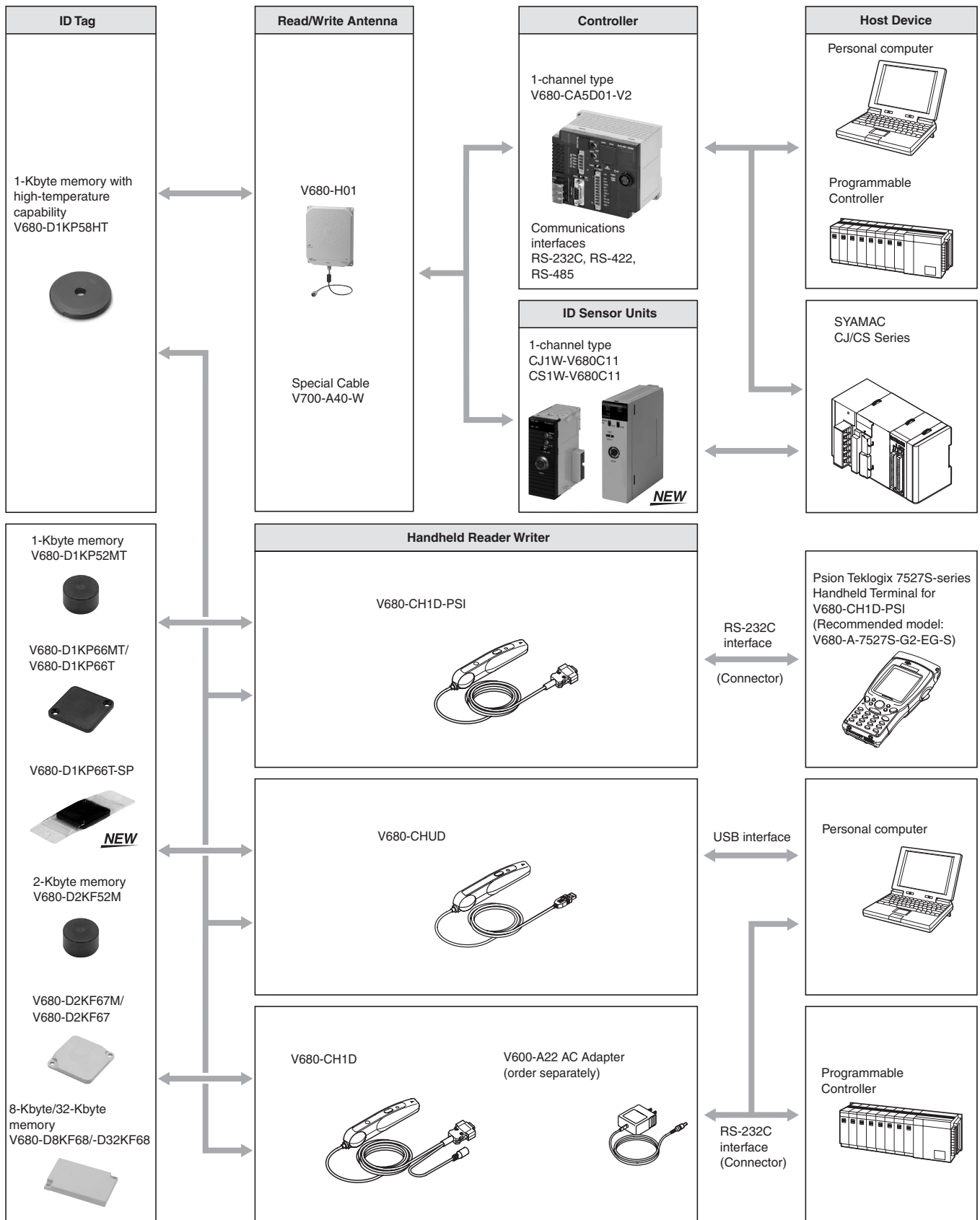
- High-speed, 27-kbps transmission response-only speed of 53 kbps from the V680-D□KF68.
- Read/Write Antennas and ID Tags with excellent environmental resistance.
- Wide line-up of ultra-compact, long-life ID Tags, with capacities from 1 to 32 Kbytes.
- Seven modes make it possible to visualize data transmission.
- ID Map Manager simplifies memory map designing for ID Tags.
- Complies with FCC Standards and R&TTE Directive.



System Configuration



- Note 1.** Use a V680-HS51/-HS52 Antenna if the V680-D1KP52MT or V680-D2KF52M is to be embedded in metal. Communications cannot be performed if a V680-HS63 Antenna is used in combination with the V680-D1KP52MT or V680-D2KF52M.
The V680-HS65 Antenna cannot communicate with V680-D1KP52MT or V680-D2KF52M ID Tags if they are embedded in metal.
- 2.** For details, refer to the following *User's Manuals* (Cat. No. Z248, Z249, Z262, and Z274).
- 3.** The maximum total cable length is 62.5 m. It is achieved by connecting an Antenna with a 12.5-m cable, an Amplifier with a 10-m cable, and 20-m Amplifier Unit Special Extension Cables.



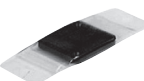


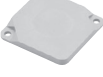



System Configuration





Connect V680 Read/Write Antennas and Amplifier Units to a V680-series Controller, and read or write data from or to V680-series ID Tags. Transmission is also possible with ID Tags other than those of the V680 Series as long as they comply with ISO/IEC 18000-3 (ISO/IEC 15693). However, transmission with ID Tags other than those of the V680 Series cannot be assured. The user must confirm transmission capabilities carefully prior to use.

Ordering Information


ID Tag

Type	Memory capacity	Appearance	Size	Metallic compatibility	Model
Battery-less	1 Kbyte		Cylindrical, ultra-compact 8 dia. × 5 mm	For embedding in metallic or non-metallic surface	V680-D1KP52MT
			Square 34 × 34 × 3.5 mm	For flush mounting on metallic surface	V680-D1KP66MT
				For flush mounting on non-metallic surface	V680-D1KP66T
			Square PFA package 95 × 36.5 × 6.5 mm	For flush mounting on non-metallic surface	V680-D1KP66T-SP
		80 dia. × t10 mm (High-temperature type)	For flush mounting on non-metallic surface	V680-D1KP58HT	
	2 Kbytes		Cylindrical, ultra-compact 8 dia. × 5 mm	For embedding in metallic or non-metallic surface	V680-D2KF52M
					Square 40 × 40 × 4.5 mm
	For flush mounting on non-metallic surface	V680-D2KF67			
	8 Kbytes		86 × 54 × 10 mm	For flush mounting on non-metallic surface	V680-D8KF68
	32 Kbytes				V680-D32KF68

Read/Write Antenna (Detachable Amplifier Unit Type)



Type	Appearance	Size	Cable length	Model	
Cylindrical		M22 × 65 mm	Standard cable, waterproof connector 2 m	V680-HS52-W 2M	
			12.5 m	V680-HS52-W 12.5M	
	Flexible cable, non-waterproof connector	M22 × 65 mm	2 m	V680-HS52-R 2M	
			12.5 m	V680-HS52-R 12.5M	
Standard cable, non-waterproof connector		M12 × 35 mm	2 m	V680-HS51 2M	
Square		40 × 53 × 23 mm	Standard cable, waterproof connector 2 m	V680-HS63-W 2M	
			12.5 m	V680-HS63-W 12.5M	
	Flexible cable, non-waterproof connector	40 × 53 × 23 mm	2 m	V680-HS63-R 2M	
			12.5 m	V680-HS63-R 12.5M	
	Standard cable, waterproof connector		100 × 100 × 30 mm	2 m	V680-HS65-W 2M
				12.5 m	V680-HS65-W 12.5M
				2 m	V680-HS65-R 2M
				12.5 m	V680-HS65-R 12.5M

Read/Write Antenna with Built-in Amplifier

Type	Appearance	Size	Cable length	Model
Square		250 × 200 × 35 mm	0.5 m (See note.)	V680-H01



Note: Use an Antenna Cable to connect the Read/Write Antenna to the Controller. The maximum cable length is 30.5 m.

Amplifier Unit


Type	Appearance	Size	Cable length	Model
For 1-Kbyte memory		25 × 40 × 65 mm	5 m	V680-HA63A 5M
			10 m	V680-HA63A 10M
For 2-/8-/32-Kbyte memory			5 m	V680-HA63B 5M
			10 m	V680-HA63B 10M


Note: The maximum extendable cable length is 50 m (including the Amplifier Unit cable). The maximum number of V700-A43/-A44 Amplifier Unit Special Extension Cables that can be connected is two.

Controller

Type	No. of connectable Amplifiers	Appearance	Size	Transmission interface	Model
DC power supply	Single		105 × 90 × 65 mm	RS232C, RS422/RS485	V680-CA5D01-V2
	Dual				V680-CA5D02-V2

ID Sensor Units

Type	Unit name	Connected ID System	External power supply	No. of unit numbers used	Current consumption (A)			Model	
					5 V	24 V	External		
CJ1 Special I/O Unit		V680 Series	1 Head	---	1 unit number	0.26	0.13 (See note.)	---	CJ1W-V680C11
						2 Heads	2 unit number	0.32	0.26

Type	Unit name	Connected ID System	External power supply	No. of unit numbers used	Current consumption (A)			Model	
					5 V	26 V	External		
CS1 Special I/O Unit		V680 Series	1 Head	---	1 Head	0.26	0.13 (See note.)	---	CS1W-V680C11
			2 Heads	24 VDC	2 Heads	0.32	---	0.36	CS1W-V680C12

Note: When connected to the V680-H01: 0.28 A

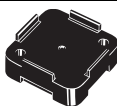


Handheld Reader Writers

Name	Model
Model with USB connector and 0.8-m cable	V680-CHUD 0.8M
Model with USB connector and 1.9-m cable	V680-CHUD 1.9M
Model with RS-232C connector and 2.5-m cable (for use with a personal computer or programmable controller)	V680-CH1D
Model with RS-232C connector and 0.8-m cable (Recommended: Psion Teklogix Handheld Terminal)	V680-CH1D-PSI
AC Adapter (for V680-CH1D)	V600-A22


Psion Teklogix Handheld Terminals Handheld Terminal Set

Name	Psion Teklogix model number	OMRON model number	Set contents
Handheld Terminal Set (English OS)	7527S-G2-EG-S	V680-A-7527S-G2-EG-S	Handheld Terminal, RS-232C interface, hand strap, and charger (standard model)


**Accessories (Order Separately)
ID Tag Attachment**

Type	Appearance	Model
For the V680-D1KP66T		V600-A86
For the V680-D□KF68		V680-A81
To mount the V680-D1KP58HT		V680-A80

Amplifier Unit Special Extension Cable (Amplifier Unit to Controller)

Cable length	Appearance	Model
10 m		V700-A43 10 M
20 m		V700-A44 20 M

V680-H01 Read/Write Antenna Special Cable (Read/Write Antenna to Controller)

Cable length	Appearance	Model
2 m		V700-A40-W 2M
5 m		V700-A40-W 5M
10 m		V700-A40-W 10M
20 m		V700-A40-W 20M
30 m		V700-A40-W 30M

Note: The maximum cable length is 30.5 m. If extending the cable length, connect only one additional cable. (Do not connect more than two cables together.)

RS-232C Communications Connector

Name	Model
Connector Plug	XM3B-0922-111
Connector Hood	XM2S-0911

ID Map Manager (for Windows)

Type	Model
English version	V680-A-IMMEG-P01

Note: An RS422/RS485 Communications Connector is provided with the RFID System.

Ratings and Performance

ID Tag (1-Kbyte Memory)

Item	Model	V680-D1KP52MT	V680-D1KP66T	V680-D1KP66MT	V680-D1KP66T-SP
Memory capacity		1,000 byte (user area)			
Memory type		EEPROM			
Data backup time (See note 1.)		10 years after writing (85°C max.)			
Memory longevity		100,000 times per block (at 25°C)			
Ambient operating temperature (during transmission)		-25 to 85°C (with no icing)			-25 to 70°C (with no icing)
Ambient operating temperature (not during transmission)		-40 to 125°C (with no icing) Heat resistance: 1,000 thermal cycles each of 30 minutes at -10°C/150°C, High-temperature storage: 1,000 hours at 150°C (See note 2.) 200 thermal cycles each of 30 minutes at -10°C/180°C, High-temperature storage: 200 hours at 180°C (See note 3.)			-40 to 110°C (with no icing)
Ambient storage temperature		-40 to 125°C (with no icing)			-40 to 110°C (with no icing)
Ambient operating humidity		35 to 95%			
Degree of protection		IEC 60529, IP68 In-house standard for antenna oil resistance (former JEM standard equivalent to IP67g) (See note 4.)			IP67
Vibration resistance		10 to 2,000 Hz, 1.5-mm double amplitude at 150 m/s ² acceleration with 10 sweeps in X, Y, and Z directions for 15 minutes each			
Shock resistance		500 m/s ² in X, Y, and Z directions 3 times each (18 times in total)			
Appearance		8 dia. × 5 mm	34 × 34 × 3.5 mm		95 × 36.5 × 6.5 mm (excluding protrusions)
Materials		Case: PPS resin Filling: Epoxy resin	Molding: PPS resin		External resin: PFA Tag body: PPS resin
Weight		Approx. 0.5 g	Approx. 6 g	Approx. 7.5 g	Approx. 20 g
Metallic compatibility		Yes	No	Yes	No

Note 1. Refer to the *User's Manual* (Cat. No. Z262) for data backup time for temperatures of 85°C or higher. If the V680 has been stored at 125°C or higher, write the data again even if the data does not need to be changed.

2. 150°C heat resistance: The heat resistance has been checked at 150°C for up to 1,000 hours, and thermal shock has been checked through testing 1,000 thermal cycles each of 30 minutes at -10/150°C. (Test samples: 22, defects: 0)
3. 180°C heat resistance: The heat resistance has been checked at 180°C for up to 200 hours, and thermal shock has been checked through testing 200 thermal cycles each of 30 minutes at -10°C/180°C. (Test samples: 22, defects: 0)
4. This OMRON in-house standard confirms resistance to cutting and other oils. It is equivalent to the former JEM standard.
5. For details, refer to the *User's Manual* (Cat. No. Z262).

ID Tag with 1-Kbyte Memory with High-temperature Capability

Item	Model	V680-D1KP58HT
Memory capacity		1,000 byte (user area)
Memory type		EEPROM
Data backup time		10 years after writing (See note.)
Memory longevity		100,000 times per block (at 85°C)
Ambient operating temperature (during transmission)		-10 to 85°C (with no icing)
Ambient operating temperature (not during transmission)		-40 to 110°C (with no icing) Heat resistance: 2,000 thermal cycles each of 30 minutes at room temperature/200°C (Refer to Heat Resistance, below, for details.)
Ambient storage temperature		-40 to 110°C (with no icing)
Ambient operating humidity		No limits.
Degree of protection		IEC 60529, IP67
Vibration resistance		10 to 2,000 Hz, 3.0-mm double amplitude at 150 m/s ² acceleration with 10 sweeps in X, Y, and Z directions for 15 minutes each
Shock resistance		500 m/s ² in X, Y, and Z directions 3 times each (18 times in total)
Materials		PPS resin
Weight		Approx. 90 g

Note: The data storage time at high temperatures (110 to 200°C) is 10 hours. Rewrite the data before 10 hours has lapsed.

Heat Resistance

Sufficient heat resistance has been confirmed by evaluation testing comprising 2,000 thermal cycles each of 30 minutes at room temperature/ 200°C (Criterion: LTPD 10%).

The lifetime of the V680-D1KP58HT is affected by high-temperature storage, due to the effects of high temperatures on internal components. For details on the relationship between heat resistance and lifetime, refer to the *User's Manual* (Cat. No. Z221).

ID Tag (2-Kbyte Memory)

Item	Model	V680-D2KF52M	V680-D2KF67	V680-D1KF67M
Memory capacity		2,000 bytes (user area)		
Memory type		FRAM		
Data backup time (See note 1.)		10 years after writing (55°C or less)		
Memory longevity		10 billion times per block. Access frequency (See note 2.): 10 billion times		
Ambient operating temperature		-25 to 85°C (with no icing)		
Ambient storage temperature		-40 to 85°C (with no icing)		
Ambient operating humidity		35 to 95%	35 to 85%	
Degree of protection		IEC 60529, IP67 In-house standard for antenna oil resistance (former JEM standard equivalent to IP67g) (See note 3.)		
Vibration resistance		10 to 2,000 Hz, 1.5-mm double amplitude at 150 m/s ² acceleration with 10 sweeps in X, Y, and Z directions for 15 minutes each		
Shock resistance		500 m/s ² in X, Y, and Z directions 3 times each (18 times in total)		
Appearance		8 dia. × 5 mm	40 × 40 × 4.5 mm	
Materials		Case: PPS resin Filling: Epoxy resin	Molding: ABS resin Filling: Epoxy resin	
Weight		Approx. 0.5 g	Approx. 6.5 g	Approx. 7 g
Metallic compatibility		Yes	No	Yes

Note 1. Refer to the *User's Manual* (Cat. No. Z248) for data backup time for temperatures of 55°C or higher.

2. The total Read or Write communication frequency is called the access frequency.
3. This OMRON in-house standard confirms resistance to cutting and other oils. It is equivalent to the former JEM standard.
4. For details, refer to the *User's Manual* (Cat. No. Z248).

ID Tag with 8-/32-Kbyte Memory

Item	Model	V680-D8KF68	V680-D32KF68
Memory capacity		8,192 bytes (user area)	32,744 bytes (user area)
Memory type		FRAM	
Data backup time (See note 1.)		10 years (at 70°C max.) after data is written	
Memory longevity		10 billion times per block at 85°C max. Access frequency (See note 2.): 10 billion times	
Ambient operating temperature		-20 to 85°C (with no icing)	
Ambient storage temperature		-40 to 85°C (with no icing)	
Ambient operating humidity		35 to 85%	
Degree of protection		IEC 60529, IP67 In-house standard for antenna oil resistance (former JEM standard equivalent to IP67g) (See note 3.)	
Vibration resistance		10 to 500 Hz, 1.5-mm double amplitude at 100 m/s ² acceleration with 10 sweeps in X, Y, and Z directions for 11 minutes each	
Shock resistance		500 m/s ² in X, Y, and Z directions 3 times each (18 times in total)	
Dimensions		86 × 54 × 10 mm	
Materials		Case: PBT resin Filling: Epoxy resin	
Weight		Approx. 50 g	
Metallic compatibility		No	

Note 1. Refer to the *User's Manual* (Cat. No. Z248) for data backup time for temperatures of 70°C or higher.

2. The total Read or Write communication frequency is called the access frequency.
3. This OMRON in-house standard confirms resistance to cutting and other oils. It is equivalent to the former JEM standard.
4. For details, refer to the *User's Manual* (Cat. No. Z248).

Cylindrical Read/Write Antenna (Detachable Amplifier Unit Type)

Item	Model	V680-HS52-W (Standard Cable, Waterproof Connector)	V680-HS52-R (Flexible Cable, Non-waterproof Connector)	V680-HS51 (Standard Cable, Non-waterproof Connector)
Ambient operating temperature		-10 to 60°C (with no icing)		
Ambient storage temperature		-25 to 75°C (with no icing)		
Ambient operating humidity		35% to 95% (with no condensation)		
Insulation resistance		20 MΩ min. (at 500 VDC) between the cable terminals and the case		
Dielectric strength		1,000 VAC (50/60 Hz) for 1 minute between the cable terminals and the case with a current leakage of 5 mA max.		
Degree of protection		IP67 (IEC60529) In-house standard for antenna oil resistance (former JEM standard equivalent to IP67g) (Read/Write Antenna portion) (See note 1.)	IP67 (IEC60529) In-house standard for antenna oil resistance (former JEM standard equivalent to IP67g) (Read/Write Antenna portion) (See note 2.)	
Vibration resistance		10 to 500 Hz variable vibration, 1.5-mm double amplitude at 100 m/s ² acceleration, with 10 sweeps in X, Y, and Z directions for 8 minutes each		10 to 2,000 Hz variable vibration, 1.5-mm double amplitude at 150 m/s ² acceleration, with 10 sweeps in X, Y, and Z directions for 15 minutes each
Shock resistance		500 m/s ² in X, Y, and Z directions 3 times each (18 times in total)		1,000 m/s ² in X, Y, and Z directions 3 times each (18 times in total)
Appearance		M22 × 65 mm		M12 × 35 mm
Materials		ABS, brass, epoxy resin filling		
Weight		Approx. 850 g (with 12.5-m cable)		Approx. 55 g (with 2-m cable)

Note 1. The degree of protection for the Connector is IP67/IP65. This OMRON in-house standard confirms resistance to cutting and other oils. It is equivalent to the former JEM standard.

2. The Connector is not waterproof. This OMRON in-house standard confirms resistance to cutting and other oils. It is equivalent to the former JEM standard.

3. For details, refer to the *User's Manual* (Cat. No. Z248 or Z262).

Square Read/Write Antenna (Detachable Amplifier Unit Type)

Item	Model	V680-HS63-W (Standard Cable, Waterproof Connector)	V680-HS63-R (Flexible Cable, Non-waterproof Connector)
Ambient operating temperature		-10 to 60°C (with no icing)	
Ambient storage temperature		-25 to 75°C (with no icing)	
Ambient operating humidity		35% to 95% (with no condensation)	
Insulation resistance		20 MΩ min. (at 500 VDC) between the cable terminals and the case	
Dielectric strength		1,000 VAC (50/60 Hz) for 1 minute between the cable terminals and the case with a current leakage of 5 mA max.	
Degree of protection		IP67 (IEC60529) In-house standard for antenna oil resistance (former JEM standard equivalent to IP67g) (Read/Write Antenna portion) (See note 1.)	IP67 (IEC60529) In-house standard for antenna oil resistance (former JEM standard equivalent to IP67g) (Read/Write Antenna portion) (See note 2.)
Vibration resistance		10 to 500 Hz variable vibration, 1.5-mm double amplitude at 100 m/s ² acceleration, with 10 sweeps in X, Y, and Z directions for 11 minutes each	
Shock resistance		500 m/s ² in X, Y, and Z directions 3 times each (18 times in total)	
Appearance		40 × 53 × 23 mm	
Materials		ABS, epoxy resin filling	
Weight		Approx. 850 g (with 12.5-m cable)	

Item	Model	V680-HS65-W (Standard Cable, Waterproof Connector)	V680-HS65-R (Flexible Cable, Non-waterproof Connector)
Ambient operating temperature		-25 to 70°C (with no icing)	
Ambient storage temperature		-40 to 85°C (with no icing)	
Ambient operating humidity		35% to 95% (with no condensation)	
Insulation resistance		20 MΩ min. (at 500 VDC) between the cable terminals and the case	
Dielectric strength		1,000 VAC (50/60 Hz) for 1 minute between the cable terminals and the case with a current leakage of 5 mA max.	
Degree of protection		In-house standard for antenna oil resistance (former JEM standard equivalent to IP67g) (Read/Write Antenna portion) (See note 1.)	In-house standard for antenna oil resistance (former JEM standard equivalent to IP67g) (Read/Write Antenna portion) (See note 2.)
Vibration resistance		10 to 500 Hz variable vibration, 1.5-mm double amplitude at 100 m/s ² acceleration, with 10 sweeps in X, Y, and Z directions for 11 minutes each	
Shock resistance		500 m/s ² in X, Y, and Z directions 3 times each (18 times in total)	
Appearance		100 × 100 × 30 mm	
Materials		ABS, epoxy resin filling	
Weight		Approx. 1,100 g (with 12.5-m cable)	

Note 1. The degree of protection for the Connector is IP67/IP65. This OMRON in-house standard confirms resistance to cutting and other oils. It is equivalent to the former JEM standard.

2. The Connector is not waterproof. This OMRON in-house standard confirms resistance to cutting and other oils. It is equivalent to the former JEM standard.

3. For details, refer to the *User's Manual* (Cat. No. Z248 or Z262).

Square Read/Write Antenna with Built-in Amplifier

Item	Model	V680-H01
Ambient operating temperature		-10 to 55°C (with no icing)
Ambient storage temperature		-35 to 65°C (with no icing)
Ambient operating humidity		35% to 85% (with no condensation)
Ambient storage humidity		35% to 95% (with no condensation)
Insulation resistance		20 MΩ min. (at 100 VDC) between the back plate and the case
Dielectric strength		1,000 VAC (50/60 Hz) for 1 minute between the back plate and the case with a current leakage of 1 mA max.
Degree of protection		IEC 60529: IP63 (Mounting direction: Transmission surface facing up)
Vibration resistance		10 to 150 Hz variable vibration, 0.7-mm double amplitude with 4 sweeps in X, Y, and Z directions for 8 minutes each
Shock resistance		150 m/s ² in X, Y, and Z directions 3 times each
Weight		Approx. 900 g
Cable length		0.5 m (See note 1.)

- Note 1.** Use an Antenna Cable to connect the Read/Write Antenna to the Controller.
The maximum cable length is 30.5 m. If extending the cable length, connect only one additional cable. (Do not connect more than two cables together.)
- 2.** For details, refer to the *User's Manual* (Cat. No. Z221).

Amplifier Unit

Item	Model	V680-HA63A	V680-HA63B
Ambient operating temperature		-10 to 55°C (with no icing)	
Ambient storage temperature		-25 to 65°C (with no icing)	
Ambient operating humidity		35% to 85% (with no condensation)	
Insulation resistance		20 MΩ min. (at 500 VDC) between the cable terminals and the case	
Dielectric strength		1,000 VAC (50/60 Hz) for 1 minute between the cable terminals and the case with a current leakage of 5 mA max.	
Degree of protection		IP40 (IEC60529) (See note 1.)	IP67/IP65 (IEC60529) (See note 2.)
Vibration resistance		10 to 500 Hz variable vibration, 1.5-mm double amplitude at 100 m/s ² acceleration, with 10 sweeps in X, Y, and Z directions for 11 minutes each	
Shock resistance		500 m/s ² in X, Y, and Z directions 3 times each (18 times in total)	
Appearance		25 × 40 × 65 mm (not including projections)	
Material		Polycarbonate (PC) resin	
Weight		Approx. 650 g (with 10-m cable)	
Cable length		5 m, 10 m (See note 3.)	
Transmittable ID Tags		1-Kbyte memory	2-, 8-, 32-Kbyte memory

- Note 1.** When connected to the V680-HS63-R or V680-HS52-R.
- 2.** When connected to the V680-HS63-W or V680-HS52-W. (Not including the Connector on the Controller.)
- 3.** The maximum extendable cable length is 50 m (including the Amplifier Unit Cable). The maximum number of cables that can be connected is two.
- 4.** For details, refer to the *User's Manual* (Cat. No. Z248 or Z262).

Controller

Item	Model	V680-CA5D01-V2	V680-CA5D02-V2
Power supply voltage Power consumption		24 VDC (-15% to +10%) 15 W max., 0.8 A max.	
Ambient operating temperature		-10 to 55°C (with no icing)	
Ambient operating humidity		25% to 85% (with no condensation)	
Ambient storage temperature		-25 to 65°C (with no icing)	
Ambient storage humidity		25% to 85% (with no condensation)	
Insulation resistance		20 MΩ min. (at 500 VDC) applied as follows: (1) Between power supply terminals and grounded case (2) Between ground and terminals	
Dielectric strength		1,000 VAC (50/60 Hz) for 1 minute (1) Between power supply terminals and grounded case (2) Between ground and terminals	
Degree of protection		Panel mounted (equivalent to IP20)	
Vibration resistance		10 to 150 Hz variable vibration, 0.2-mm double amplitude at 15 m/s ² acceleration, with 10 sweeps in X, Y, and Z directions for 8 minutes each	
Shock resistance		150 m/s ²	
Appearance		105 × 90 × 65 mm (not including projections)	
Material		Polycarbonate (PC) resin, ABS resin	
Weight		Approx. 300 g	
Mounting method		DIN Track or M4 screws	
Connectable Amplifier Units		1	2

Note: For details, refer to the *User's Manual* (Cat. No. Z249).

ID Controller Communications Specifications

Item	Specifications	
	RS-232C	RS-422/RS-485
Connector specifications	9-pin D-Sub connector with threaded socket: M2.6	5-pin connector mfd. by Phoenix Contact: MC1.5/5GF-3.5
Transmission method	Half-duplex serial	4-wire/2-wire half-duplex serial
Transmission speed	9,600/19,200/38,400/115,200 bps	
Data length	7 or 8 bits	
Stop bit length	1 or 2 bits	
Error detection	Parity (even/odd/none)	
Cable length	15 m max.	500 m max.

ID Controller Input Specifications (RST, TRG1, and TRG2)

Input voltage	24 VDC (+10% to -15%, including ripple) (PNP and NPN compatible)
Input impedance	2.2 kΩ
Input current	10 mA TYP (24 VDC)
ON voltage	19 V min.
OFF voltage	5 V max.
Input response	70 ms max.

ID Controller Output Specifications (RUN, BUSY/OUTS, ERROR/OUT4, OUT1, and OUT2)

Maximum switching capacity	24 VDC (+10% to -15%, including ripple) 100-mA photoMOS output (PNP and NPN compatible)
Leakage current	100 μA max.
Residual voltage	2.0 V max.

Note 1. When RST input is ON, the CPU halts operation and the RST LED lights. The ERROR output is then reset.

2. Short-circuiting in a no-load condition may cause transistor damage.

■ USB Port

The USB port is used for a simple connection with a personal computer using a USB cable. The port complies with USB 1.1, and the USB cable uses a series A or series mini-B connector. A USB port driver must be separately provided. Consult with your OMRON representative for details.

When connected to a host device via USB, the communications will use 1:1 protocol regardless of the setting of DIP switches 3 to 9.

The USB port is not used for control purposes. When building a system, be sure to provide an RS-232C port or RS-422/RS-485C port.

ID Sensor Units

Item	Model	CJ1W-V680C11	CJ1W-V680C12	CS1W-V680C11	CS1W-V680C12
Current consumption	Internal: 5 V	260 mA	320 mA	260 mA	320 mA
	Internal: 24 V/26 V	130 mA (See note.)	260 mA	125 mA (See note.)	---
	External: 24 V	---	---	---	360 mA
Dielectric strength	1,000 VAC for 1 minute				
Insulation resistance	20 mΩ min. at 500 VDC				
Ambient operating temperature	0 to 55°C				
Ambient operating humidity	10% to 90% (with no condensation)				
Ambient storage temperature	-20 to 75°C				
Degree of protection	Mounted in panel (IP30)				
Vibration resistance	10 to 57 Hz variable vibration, 0.075-mm double amplitude and 57 to 150 Hz variable vibration at 9.8 m/s ² acceleration, with 10 sweeps in X, Y, and Z directions for 8 minutes each				
Shock resistance	147 m/s ² in X, Y, and Z directions 3 times each				
Appearance	31 × 65 × 90 mm (excluding protrusions)			35 × 130 × 101 mm (excluding protrusions)	

Note: When connected to the V680-H01: 280 mA

Functional Specifications of ID Sensor Units

Item	Model	CJ1W-V680C11	CJ1W-V680C12	CS1W-V680C11	CS1W-V680C12
Communications control protocol	Special protocol for CS1 and CJ1 PLCs				
Number of Read/Write Head connections	1	2	1	2	
Commands	Supported commands: Read, Write, Bit Set/Bit Clear, Mask Bit Write, Calculation Write, Data Fill, Data Check, Number of Writes Control, Copy, Read with Error Correction/Write with Error Correction, UID Read, and Noise Measurement. The following communications options are supported: Single trigger, Single auto, Repeat auto, FIFO trigger, FIFO repeat (See note.), Multi-access trigger, and Multi-access repeat (See note.)				
Data transfer quantity	2,048 bytes max. (160 bytes/scan)				
Diagnostic function	(1) CPU watchdog timer (2) Communications error detection with ID Tag (3) Antenna power supply error				
Monitoring/testing functions	Tag communications can be tested in Test Mode. Status is displayed by LED indicators.				
Number of allocated words	10 words	20 words	10 words	20 words	

Note 1. Cannot be used for communications with the V680-D1KP□□.
2. For details, refer to the *User's Manual* (Cat. No. Z248 or Z262).

Handheld Reader Writers

Item	Model	V680-CHUD 0.8M	V680-CHUD 1.9M	V680-CH1D	V680-CH1D-PSI
Power supply voltage	5 VDC±5%				
Current consumption	500 mA max. (for a power supply voltage of 5.0 V)				
Insulation resistance	50 MΩ min. (at 500 VDC) between connector and case				
Dielectric strength	1,000 VAC, 50/60 Hz for 1 min (leakage current: 1 mA max.) between connectors and case				
Vibration resistance	Destruction: 10 to 150 Hz, 0.2-mm double amplitude, with 10 sweeps for 8 min each in 6 directions				
Shock resistance	Destruction: 150 m/s ² , 3 times each in X, Y, and Z directions				
Ambient operating temperature during communication	0 to +40°C				
Ambient operating humidity during communication	35% to 85% (with no condensation)				
Ambient storage temperature	-25 to +65°C				
Ambient storage humidity	35% to 85% (with no condensation)				
Degree of protection	IEC 60529: IP63 (See note 2.)				
Cable length	0.8 m	1.9 m	2.5 m	0.8 m	
Weight	Approx. 110 g (including connector and cable)	Approx. 140 g (including connector and cable)	Approx. 170 g (including connector and cable)	Approx. 120 g (including connector and cable)	

Note 1. Refer to the *User's Manual* (Cat. No. Z272) for details.
2. This does not include the connector section. The main unit is not resistant to chemical or oils.

AC Adapter (for V680-CH1D)

Item	Model	V600-A22
Input voltage		100 to 120 VAC at 50/60 Hz
Input current		100 VAC: 200 mA ±20%, 120 VAC: 170 mA ±20%
Output voltage		5 VDC ±0.25 V
Ambient operating temperature		0 to 40°C (with no icing)
Ambient storage temperature		-40 to 70°C (with no icing)
Ambient operating humidity		25% to 85% (with no condensation)
Insulation resistance		100 MΩ min. (at 500 VDC) between input terminals and output terminals
Dielectric strength		1,500 V for 1 minute between input terminals and output terminals with a current leakage of 5 mA max.
Weight		Approx. 85 g
Applicable standards		UL/CSA

Host Communications Interface Specifications USB interface

Item	Model	V680-CHUD
Interface connector		Series A plug
USB version		Ver 1.1
Communications speed		Full speed (12 Mbps)
Device class		COM class (See note.)

Note: Used as the COM port on the host device.

RS-232C interface

Item	Model	V680-CH1D	V680-CH1D-PSI
Connector		D-SUB 9-pin (compatible with IBM PC/AT or compatible) (See note 1.)	D-SUB 9-pin
Standards		RS-232C	
Transmission path connections		1:1	
Communications method		2-wire half-duplex	
Synchronization		Start-stop (stop bits = 1 or 2) (See note 2.)	
Baud rate		2,400, 4,800, 9,600, 19,200, or 38,400 bps (See note 2.)	
Transmission code		ASCII (7-bit) or JIS8 (See note 2.)	
Communications control procedure		1:1 protocol	
Error detection		Vertical parity (even, odd, or none) (See note 2.)	

Note 1. To convert to a 25-pin connector, use the Sunhayato SGC-X9P/25P-2 or the equivalent.
2. Set using a setting command.

■ Psion Teklogix Handheld Terminals Recommended for the V680-CH1D-PSI


A V680-CH1D-PSI Psion Teklogix Handheld Terminals is recommended for the V680 Handheld Reader Writer. This Handheld Terminal is available from OMRON.

■ Ordering Information





Psion Teklogix Handheld Terminals Handheld Terminal Set

Name	Psion Teklogix model number	OMRON model number	Configuration
Handheld Terminal Set (English OS)	7527S-G2-EG-S	V680-A-7527S-G2-EG-S	Handheld Terminal, RS-232C interface, hand strap, and charger (standard model)

Handheld Terminal Only

Name	Appearance	Size	Psion Teklogix model number	OMRON model number	Configuration
Handheld Terminal (English OS)		90 × 210 × 42 mm	7527S-G2-EG	V680-A-7527S-G2-EG	Handheld Terminal, RS-232C interface, and hand strap

Handheld Terminal Accessories

Name	Appearance	Size	Psion Teklogix model number	OMRON model number
High-capacity Battery		55 × 35 × 18 mm	WA3006	V680-A-WA3006
Charger (standard model)		Adapter: 48 × 70 × 27 mm Cable: 1,800 mm	CA1053	V680-A-CA1053
Charger (advanced model)		Charger: 168 × 185 × 110 mm Enclosed USB cable: 1,500 mm	WA4003	V680-A-WA4003
Carrying Case		Handheld Reader Writer Cover: 85 × 200 × 50 mm Strap: 150 mm	WA6197	V680-A-WA6197

■ Ratings and Specifications

Psion Teklogix Handheld Terminal

Item	Model	Psion Teklogix model 7527S-G2-EG (V680-A-7527S-G2-EG)
OS		Windows CE 5.0
OS language		English
CPU		EXA2705 (520 MHz)
Memory		Flash ROM: 128 MB, RAM: 128 MB
Display		Color, 1/4 VGA, 240x320
Keyboard		Alphanumeric
Card slots		One CF (Type II Compact Flash) slot and one SD memory card slot
Power supply (main battery)		One high-capacity lithium ion battery (3,000 mA/h at 3.7 V)
Host communications interface		RS-232C (Can be connected to the V680-CH1D-PSI.)
Ambient operating temperature		-10 to 50°C
Ambient operating humidity		5% to 95% (with no condensation)
Ambient storage temperature		-40 to 60°C
Drop strength		1.5 m on concrete
Degree of protection		IP65 (IEC 60529)
Dimensions		210 × 90 × 42 mm
Weight		390 g (excluding battery)
Standards		CE, UL 60950-1, CSA C22.2 No. 60950-1 CCC, and RoHS (AC Adapter for the charger)



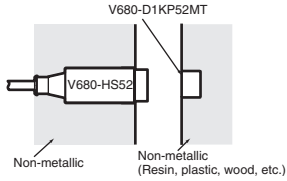

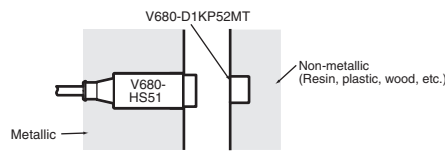


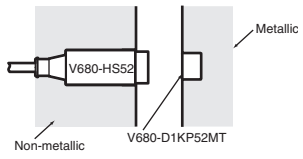

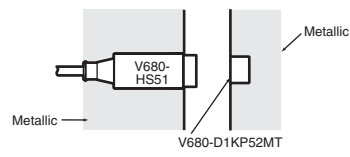


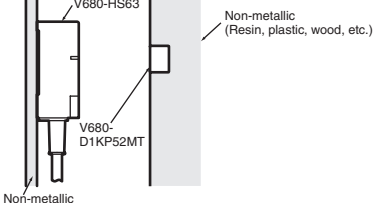
Note: The Easy Access demonstration software is preinstalled on the V680 and V600.

Charger (Standard Model)

Item	Model	Psion Teklogix model CA1053 (V680-A-CA1053)
Input voltage		100 to 240 VAC at 50/60 Hz
Input current		0.6 A
Ambient operating temperature		-10 to 50°C
Ambient storage temperature		-25 to 65°C
Insulation resistance		2 kΩ
Dielectric strength		450 V
Weight		Approx. 362 g
Applicable standards		UL/CSA, CE

■ Performance Specifications


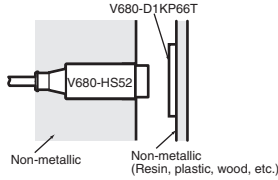

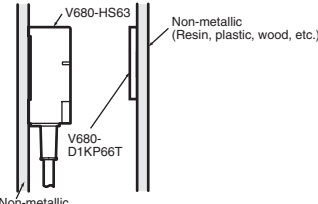

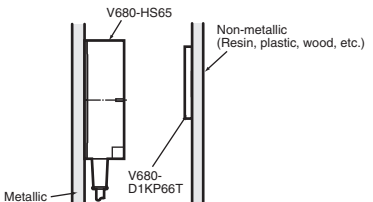

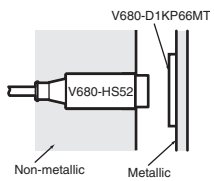

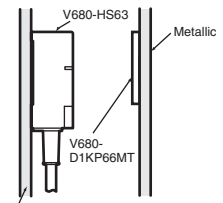

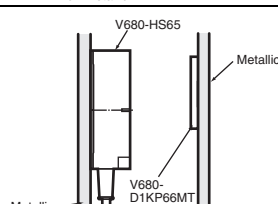
ID Tag (1-kbyte Memory) Transmission

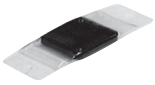

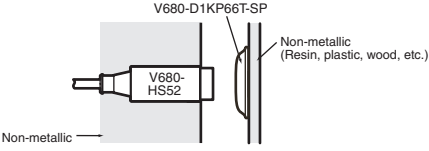


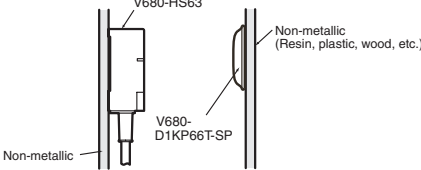


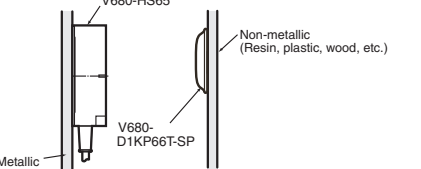


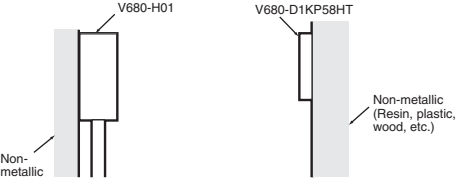
Recommended combination		Function	Transmission distance (unit: mm)	ID Tag and Read/Write Antenna mounting conditions
ID Tag	Read/Write Antenna			
		Read distance	0 to 9.0 mm (axial deviation ±2)	
		Write distance	0 to 8.5 mm (axial deviation ±2)	
		Read distance	0.5 to 6.5 mm (axial deviation ±2)	
		Write distance	0.5 to 6.0 mm (axial deviation ±2)	
		Read distance	0 to 4.5 mm (axial deviation ±2)	
		Write distance	0 to 4.0 mm (axial deviation ±2)	
		Read distance	0.5 to 3.5 mm (axial deviation ±2)	
		Write distance	0.5 to 3.5 mm (axial deviation ±2)	
		Read distance	0 to 12.0 mm (axial deviation ±2)	
		Write distance	0 to 9.5 mm (axial deviation ±2)	

Note 1. When mounting the V680-HS65, be sure to attach the Mounting Brackets at the base of the Antenna.

The enclosed Mounting Brackets do not need to be used, however, if the mounting brackets on the Antenna are metal plates and their dimensions are larger than the dimensions of the Antenna (100 × 100 mm). For details, refer to the *User's Manual* (Cat. No. Z248 or Z262).



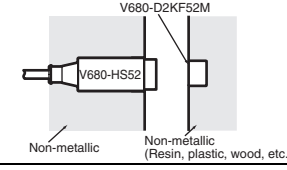

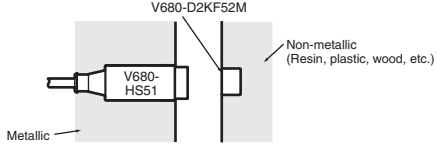


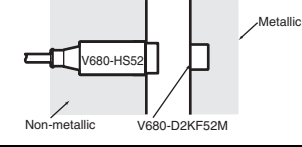

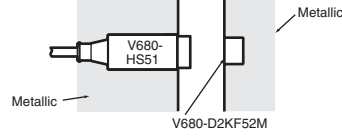


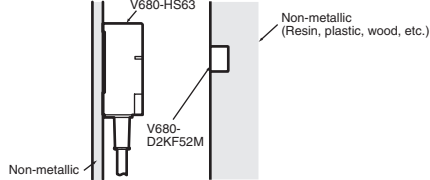


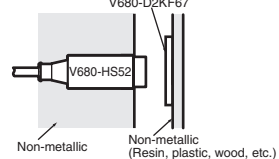

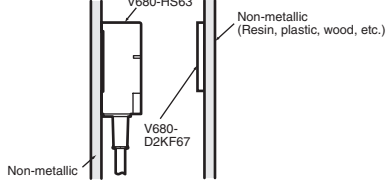

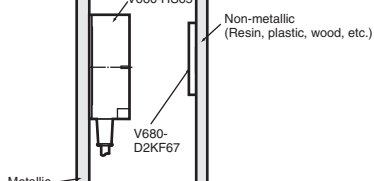
2. The transmission distance may be reduced if the V680-D1KP66T or V680-D1KP58HT is mounted onto a metallic surface. Refer to the *User's Manual* (V680-D1KP□□: Cat. No. Z262, V680-D1KP58HT: Cat. No. Z221) for details.



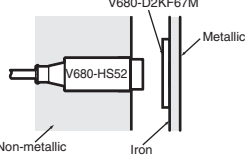

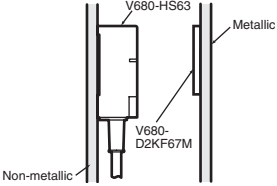

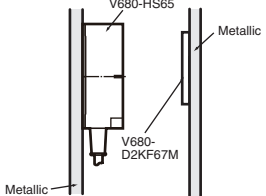
Recommended combination		Function	Transmission distance (unit: mm)	ID Tag and Read/Write Antenna mounting conditions
ID Tag	Read/Write Antenna			
V680-D1KP66T		Read distance	0 to 17.0 mm (axial deviation ± 2) (See note 2.)	
		Write distance	0 to 17.0 mm (axial deviation ± 2) (See note 2.)	
		Read distance	0 to 30.0 mm (axial deviation ± 10) (See note 2.)	
		Write distance	0 to 25.0 mm (axial deviation ± 10) (See note 2.)	
		Read distance	0 to 47.0 mm (axial deviation ± 10) (See note 2.)	
		Write distance	0 to 42.0 mm (axial deviation ± 10) (See note 2.)	
V680-D1KP66MT (flush-mounted on metallic surface: steel)		Read distance	0 to 16.0 mm (axial deviation ± 2)	
		Write distance	0 to 14.0 mm (axial deviation ± 2)	
		Read distance	0 to 25.0 mm (axial deviation ± 10)	
		Write distance	0 to 20.0 mm (axial deviation ± 10)	
		Read distance	0 to 25.0 mm (axial deviation ± 10)	
		Write distance	0 to 20.0 mm (axial deviation ± 10)	

Recommended combination		Function	Transmission distance (unit: mm)	ID Tag and Read/Write Antenna mounting conditions	
ID Tag	Read/Write Antenna				
	V680-HS52 	Read distance	0 to 17.0 mm (axial deviation ±2)		
		Write distance	0 to 17.0 mm (axial deviation ±2)		
		V680-HS63 	Read distance	0 to 30.0 mm (axial deviation ±10)	
			Write distance	0 to 25.0 mm (axial deviation ±10)	
		V680-HS65 	Read distance	0 to 47.0 mm (axial deviation ±10)	
			Write distance	0 to 42.0 mm (axial deviation ±10)	
	V680-H01 	Read distance	0 to 150 mm (See note.)		
		Write distance			



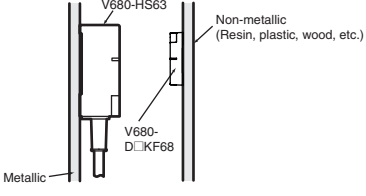

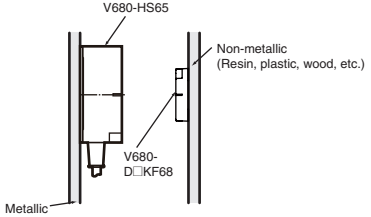
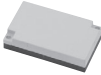

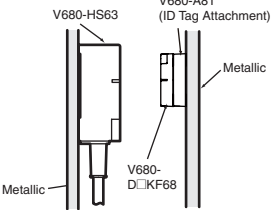

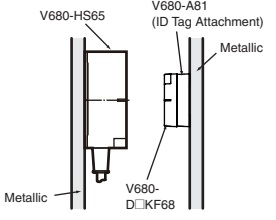
- Note 1.** When mounting the V680-HS65, be sure to attach the Mounting Brackets at the base of the Antenna.
 The enclosed Mounting Brackets do not need to be used, however, if the mounting brackets on the Antenna are metal plates and their dimensions are larger than the dimensions of the Antenna (100 × 100 mm).
 For details, refer to the *User's Manual* (Cat. No. Z248 or Z262).
- 2.** The transmission distance may be reduced if the V680-D1KP66T or V680-D1KP58HT is mounted onto a metallic surface. Refer to the *User's Manual* (V680-D1KP□□: Cat. No. Z262, V680-D1KP58HT: Cat. No. Z221) for details.

ID Tag (2-kbyte Memory) Transmission

Recommended combination		Function	Transmission distance (unit: mm)	ID Tag and Read/Write Antenna mounting conditions
ID Tag	Read/Write Antenna			
		Read distance	0 to 8.0 mm (axial deviation ±2)	
		Write distance	0 to 8.0 mm (axial deviation ±2)	
		Read distance	0.5 to 5.5 mm (axial deviation ±2)	
		Write distance	0.5 to 5.5 mm (axial deviation ±2)	
		Read distance	0 to 3.0 mm (axial deviation ±2)	
		Write distance	0 to 3.0 mm (axial deviation ±2)	
		Read distance	0 to 3.5 mm (axial deviation ±2)	
		Write distance	0 to 3.5 mm (axial deviation ±2)	
		Read distance	0 to 9.5 mm (axial deviation ±2)	
		Write distance	0 to 9.5 mm (axial deviation ±2)	
		Read distance	0 to 17.0 mm (axial deviation ±2) (See note.)	
		Write distance	0 to 17.0 mm (axial deviation ±2) (See note.)	
		Read distance	7 to 30.0 mm (axial deviation ±10) (See note.)	
		Write distance	7 to 30.0 mm (axial deviation ±10) (See note.)	
		Read distance	0 to 42.0 mm (axial deviation ±10) (See note.)	
		Write distance	0 to 42.0 mm (axial deviation ±10) (See note.)	

Recommended combination		Function	Transmission distance (unit: mm)	ID Tag and Read/Write Antenna mounting conditions
ID Tag	Read/Write Antenna			
		Read distance	0 to 16.0 mm (axial deviation ±2)	
		Write distance	0 to 16.0 mm (axial deviation ±2)	
		Read distance	6 to 25.0 mm (axial deviation ±10)	
		Write distance	6 to 25.0 mm (axial deviation ±10)	
		Read distance	0 to 25.0 mm (axial deviation ±10)	
		Write distance	0 to 25.0 mm (axial deviation ±10)	

ID Tag (8-/32-Kbyte Memory) Transmission

Recommended combination		Function	Transmission distance (unit: mm)	ID Tag and Read/Write Antenna mounting conditions
ID Tag	Read/Write Antenna			
		Read distance	0 to 45.0 mm (axial deviation ±10) (See note.)	
		Write distance	0 to 45.0 mm (axial deviation ±10) (See note.)	
		Read distance	0 to 75.0 mm (axial deviation ±10) (See note.)	
		Write distance	0 to 75.0 mm (axial deviation ±10) (See note.)	
		Read distance	0 to 35.0 mm (axial deviation ±10)	
		Write distance	0 to 35.0 mm (axial deviation ±10)	
		Read distance	0 to 55.0 mm (axial deviation ±10)	
		Write distance	0 to 55.0 mm (axial deviation ±10)	

Note: When mounting the V680-HS65, be sure to attach the Mounting Brackets at the base of the Antenna. The enclosed Mounting Brackets do not need to be used, however, if the mounting brackets on the Antenna are metal plates and their dimensions are larger than the dimensions of the Antenna (100 × 100 mm). For details, refer to the *User's Manual* (Cat. No. Z248 or Z262).

Note: The transmission distance may be reduced if the V680-D1KP66T or V680-D1KP58HT is mounted onto a metallic surface. Refer to the *User's Manual* (V680-D1KP□□: Cat. No. Z262, V680-D1KP58HT: Cat. No. Z221) for details.

Handheld Reader Writer Communications Specifications

ID Tags	Communications distance	
	Read	Write
V680-D1KP52MT	0 to 9.0 mm	0 to 7.5 mm
V680-D1KP52MT (embedded in metal: steel)	0 to 3.0 mm	0 to 2.5 mm
V680-D1KP66MT	0 to 21.0 mm	0 to 18.0 mm
V680-D1KP66T	0 to 27.0 mm	0 to 25.0 mm
V680-D1KP58HT	0 to 19.0 mm	0 to 17.0 mm
V680-D1KP66T-SP	0 to 25.0 mm	0 to 23.0 mm
V680-D2KF52M	0 to 7.0 mm	0 to 7.0 mm
V680-D2KF52M (embedded in metal: steel)	0 to 2.0 mm	0 to 2.0 mm
V680-D2KF67M	0 to 22.0 mm	0 to 22.0 mm
V680-D2KF67	0 to 28.0 mm	0 to 28.0 mm
V680-D8KF68	0 to 32.0 mm	0 to 32.0 mm
V680-D32KF68	0 to 32.0 mm	0 to 32.0 mm

Note: ID Tag Mounting Conditions

- V680-D1KP52MT: Embedded in resin or steel.
- V680-D1KP66MT: ID Tag mounted with steel on back surface.
- V680-D1KP66T: ID Tag mounted on resin surface (no metal on back surface).
- V680-D1KP58HT: ID Tag mounted on resin surface (no metal on back surface).
- V680-D1KP66T-SP: ID Tag mounted on resin surface (no metal on back surface).
- V680-D2KF52M: Embedded in resin or steel.
- V680-D2KF67M: ID Tag mounted with steel on back surface.
- V680-D2KF67: ID Tag mounted on resin (no metal on back surface).
- V680-D8KF68: ID Tag mounted on resin (no metal on back surface).
- V680-D32KF68: ID Tag mounted on resin (no metal on back surface).

Characteristic Data (Typical)

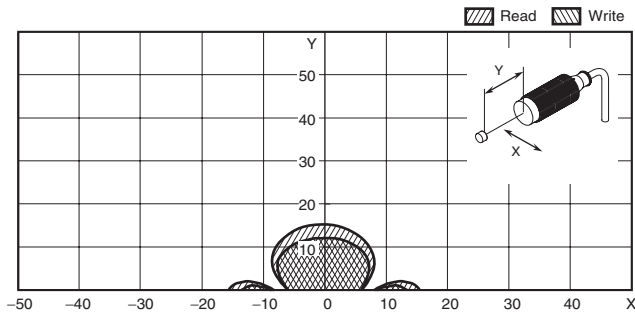
Transmission Range

(unit: mm)

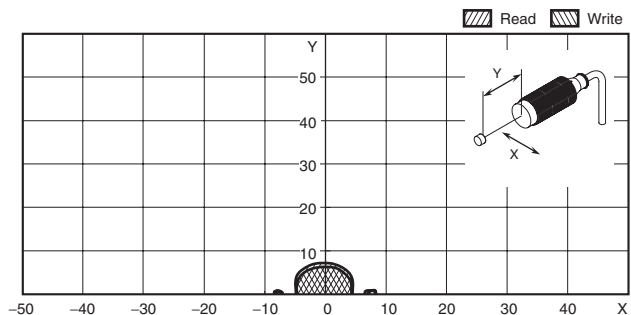
1-kbyte Memory ID Tag

The values given for communications ranges are reference values. Refer to pages 20 to 22 for communications distance specifications. The communications distance will depend on the ID Tags, ambient temperature, surrounding metal, noise, and other factors. Test operation completely when installing a system.

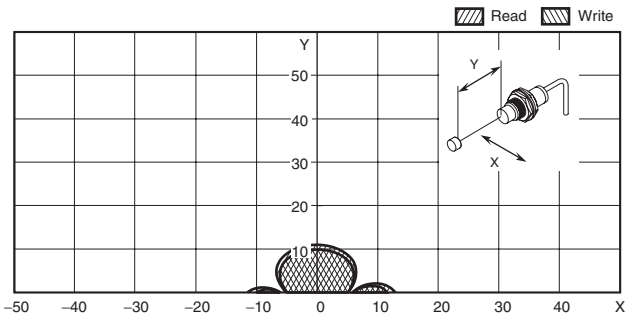
V680-HS52 (embedded in non-metallic material) & V680-D1KP52MT



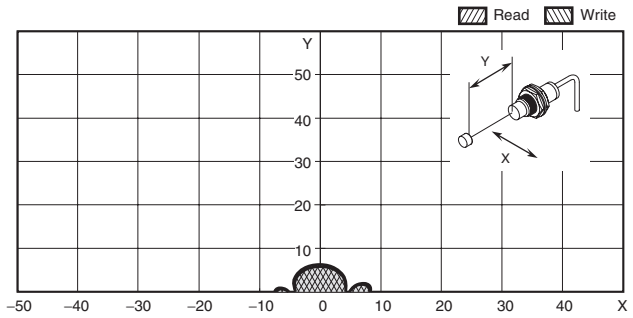
V680-HS52 (embedded in non-metallic material) & V680-D1KP52MT (embedded in metallic surface: steel)



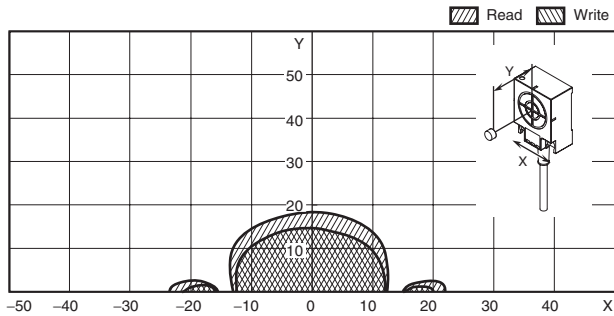
V680-HS51 (embedded in metallic material) & V680-D1KP52MT



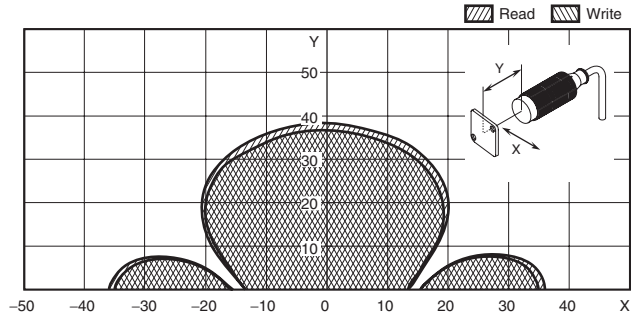
V680-HS51 (embedded in metallic material) & V680-D1KP52MT (embedded in metallic surface: steel)



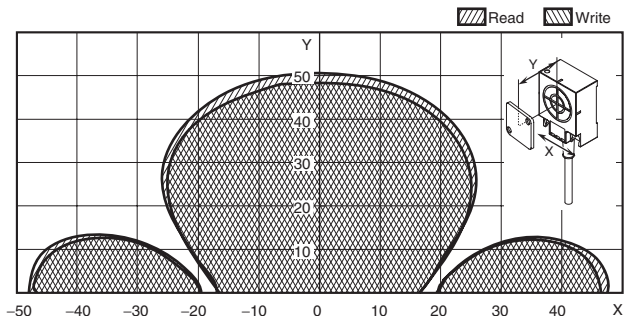
V680-HS63 (mounted on non-metallic material) & V680-D1KP52MT



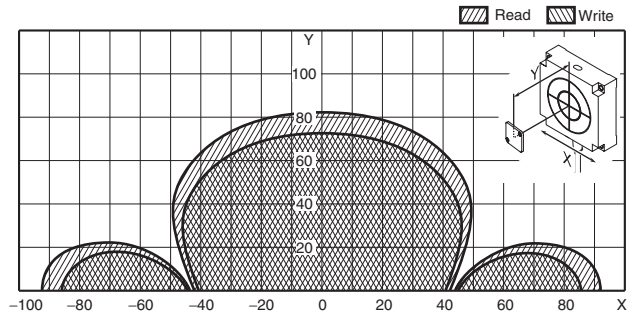
V680-HS52 (embedded in non-metallic material) & V680-D1KP66T



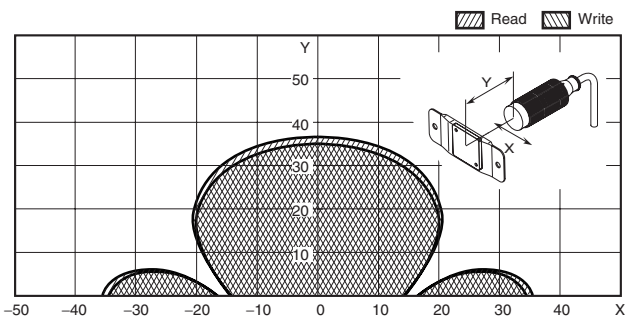
V680-HS63 (mounted on non-metallic material) & V680-D1KP66T



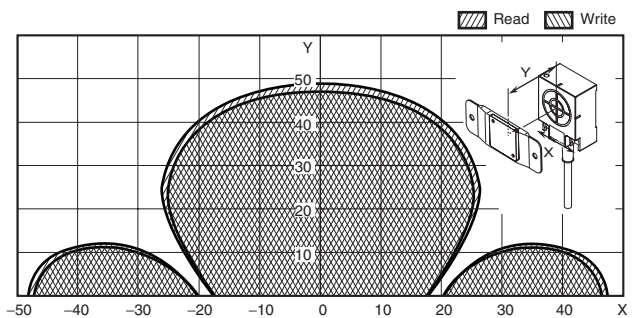
V680-HS65 (mounted on metallic material) & V680-D1KP66T



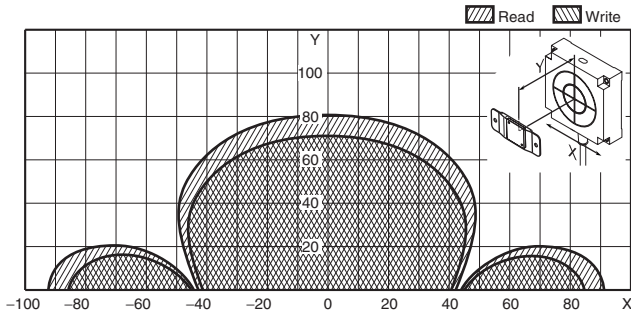
V680-HS52 (embedded in non-metallic material) & V680-D1KP66T-SP



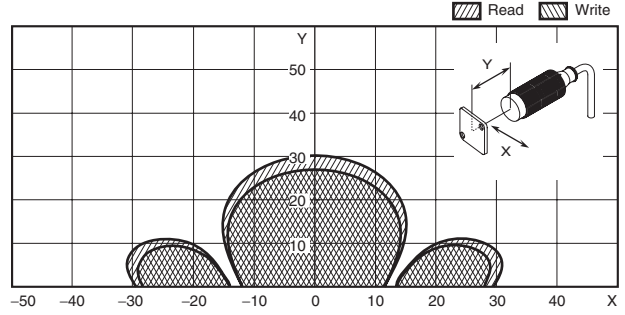
V680-HS63 (mounted on non-metallic material) & V680-D1KP66T-SP



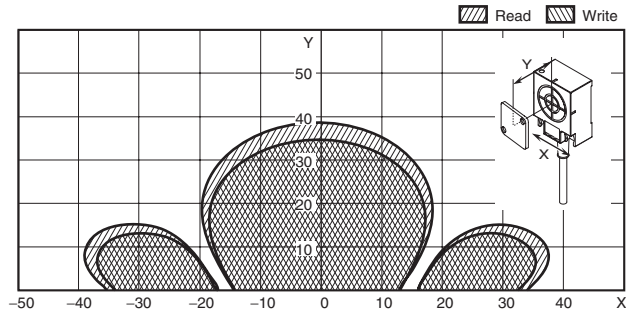
V680-HS65 (mounted on metallic material) & V680-D1KP66T-SP



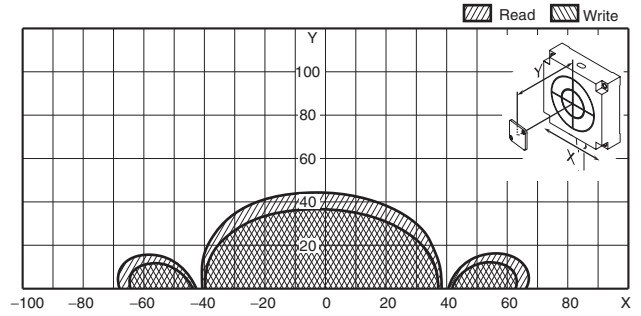
V680-HS52 (embedded in non-metallic material) & V680-D1KP66MT (flush-mounted on metallic surface: steel)



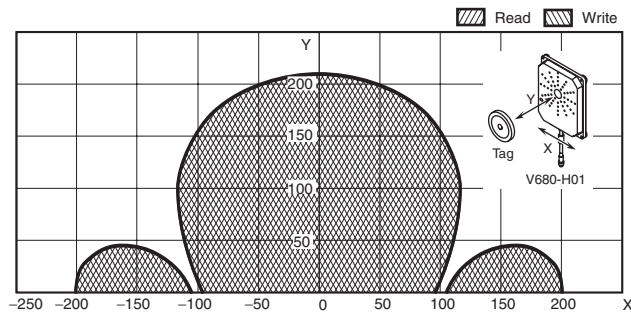
V680-HS63 (mounted on non-metallic material) & V680-D1KP66MT (flush-mounted on metallic surface: steel)



V680-HS65 (mounted on metallic material) & V680-D1K66MT (flush-mounted on metallic surface: steel)



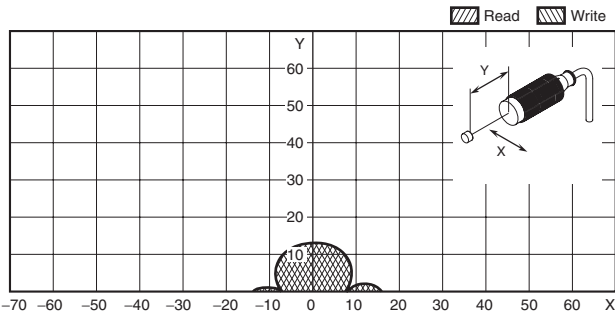
V680-H01 (mounted on non-metallic material) & V680-D1KP58HT



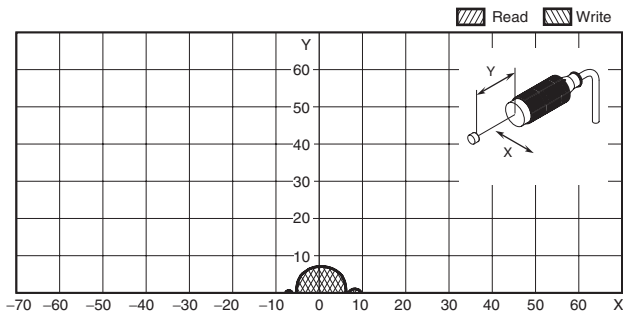
2-kbyte Memory ID Tag

The values given for communications ranges are reference values. Refer to pages 23 to 24 for communications distance specifications. The communications distance will depend on the ID Tags, ambient temperature, surrounding metal, noise, and other factors. Test operation completely when installing a system.

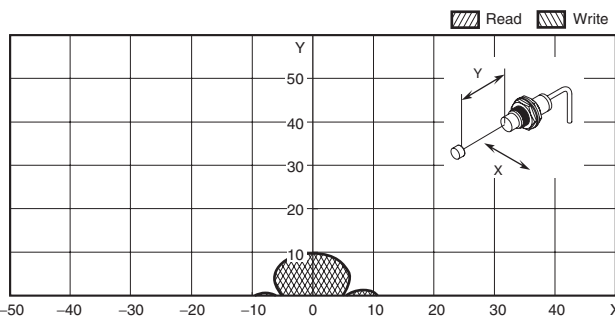
V680-HS52 (embedded in non-metallic material) & V680-D2KF52M



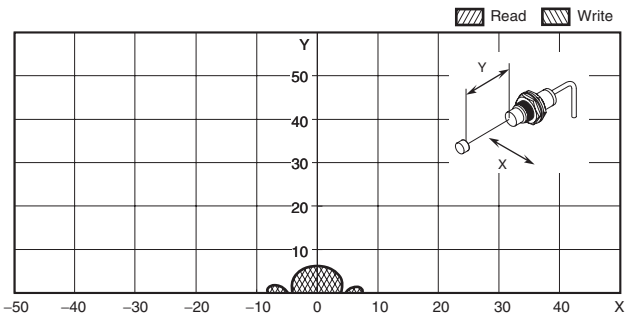
V680-HS52 (embedded in non-metallic material) & V680-D2KF52M (embedded in metallic surface: steel)



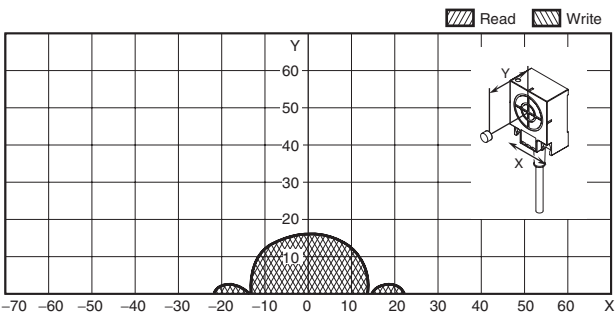
V680-HS51 (embedded in metallic material) & V680-D2KF52M



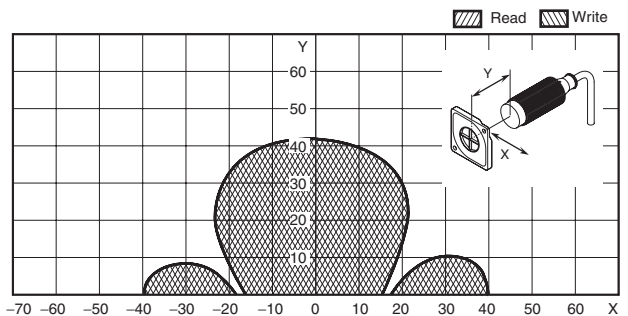
V680-HS51 (embedded in metallic material) & V680-D2KF52M (embedded in metallic surface: steel)



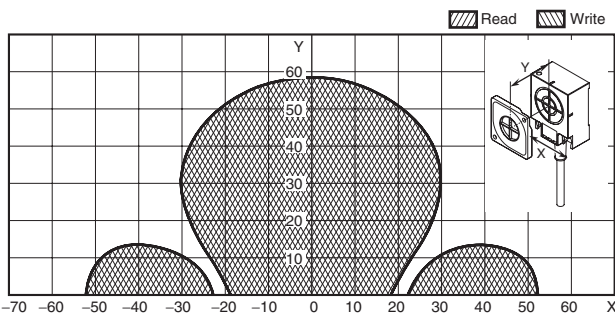
V680-HS63 (mounted on non-metallic material) & V680-D2KF52M



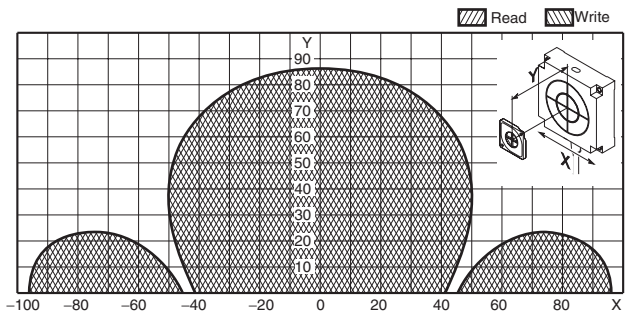
V680-HS52 (embedded in metallic material) & V680-D2KF67



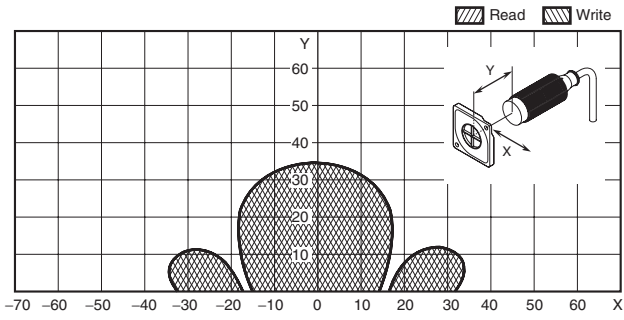
V680-HS63 (mounted on non-metallic material) & V680-D2KF67



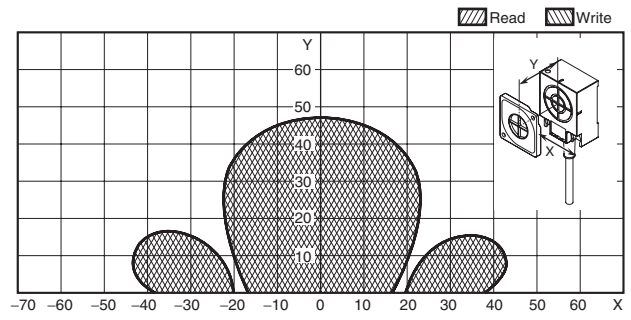
V680-HS65 (mounted on metallic material) & V680-D2KF67



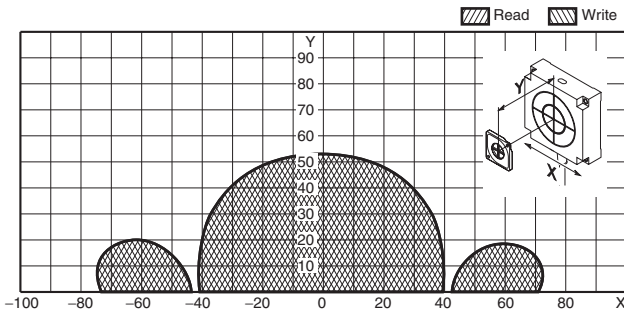
V680-HS52 (embedded in non-metallic material) & V680-D2KF67M (flush-mounted on metallic surface: steel)



V680-HS63 (mounted on non-metallic material) & V680-D2KF67M (flush-mounted on metallic surface: steel)



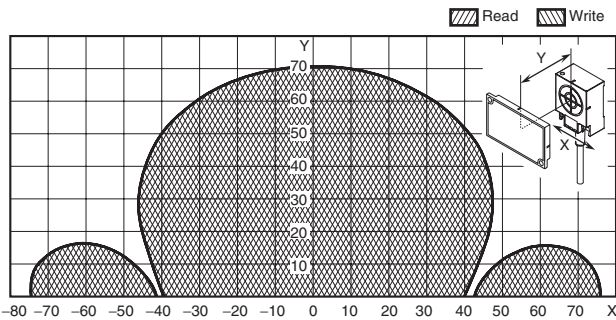
V680-HS65 (mounted on metallic material) & V680-D2KF67M (flush-mounted on metallic surface: steel)



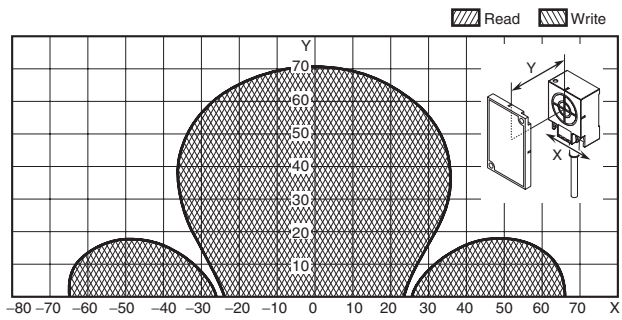
8-/32-Kbyte Memory ID Tag

The values given for communications ranges are reference values. Refer to page 24 for communications distance specifications. The communications distance will depend on the ID Tags, ambient temperature, surrounding metal, noise, and other factors. Test operation completely when installing a system.

V680-HS63 (mounted on metallic material) & V680-D8KF68/-D32KF68 (Horizontal-facing ID Tag)

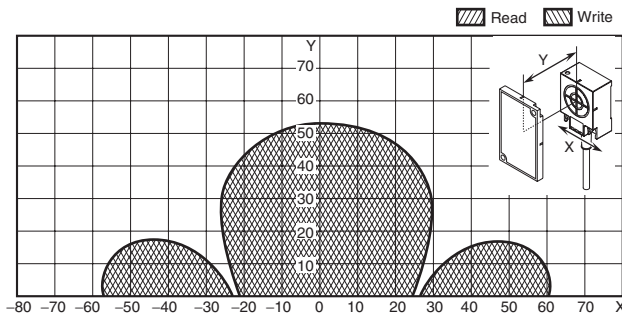
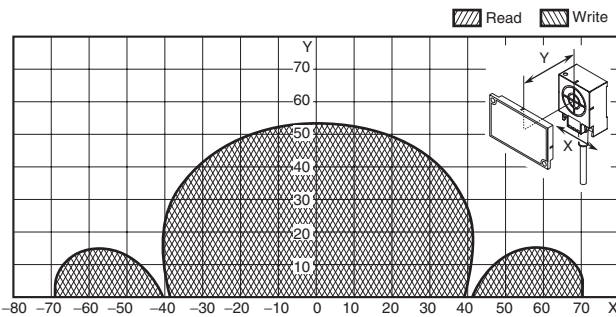


V680-HS63 (mounted on metallic material) & V680-D8KF68/-D32KF68 (Vertical-facing ID Tag)



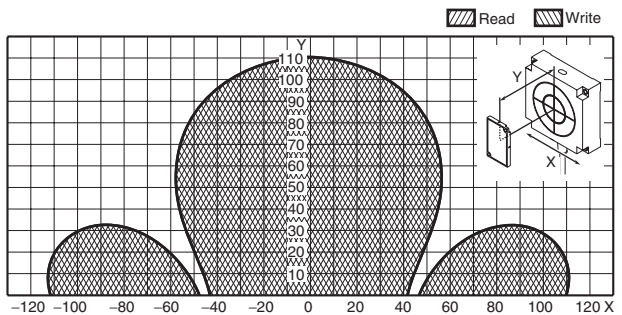
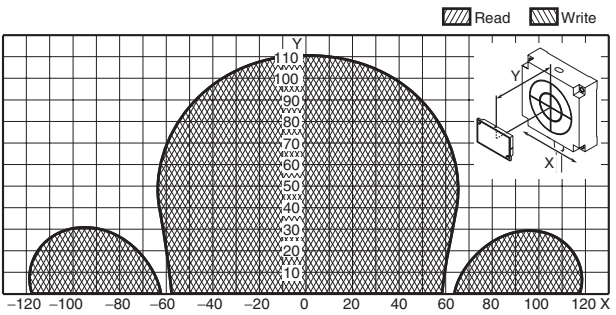
V680-HS63 (mounted on metallic material) & V680-D8KF68/-D32KF68 Flush-mounted on metallic surface: steel (Horizontal-facing ID Tag) When the V680-A81 ID Tag Attachment is mounted.

V680-HS63 (mounted on metallic material) & V680-D8KF68/-D32KF68 Flush-mounted on metallic surface: steel (Vertical-facing ID Tag) When the V680-A81 ID Tag Attachment is mounted.



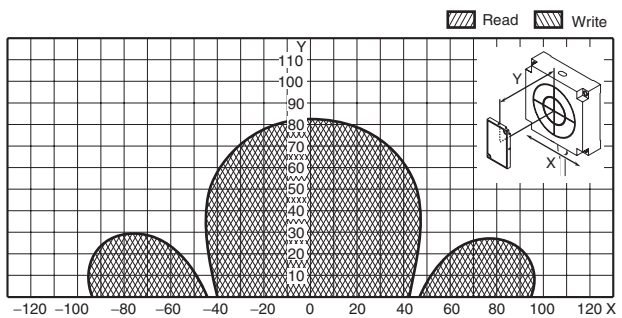
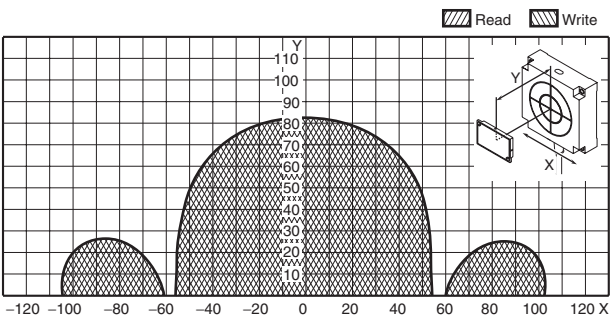
V680-HS65 (mounted on metallic material) & V680-D8KF68/-D32KF68 (Horizontal-facing ID Tag)

V680-HS65 (mounted on metallic material) & V680-D8KF68/-D32KF68 (Vertical-facing ID Tag)



V680-HS65 (mounted on metallic material) & V680-D8KF68/-D32KF68 Flush-mounted on metallic surface: steel (Horizontal-facing ID Tag) When the V680-A81 ID Tag Attachment is mounted.

V680-HS65 (mounted on metallic material) & V680-D8KF68/-D32KF68 Flush-mounted on metallic surface: steel (Vertical-facing ID Tag) When the V680-A81 ID Tag Attachment is mounted.



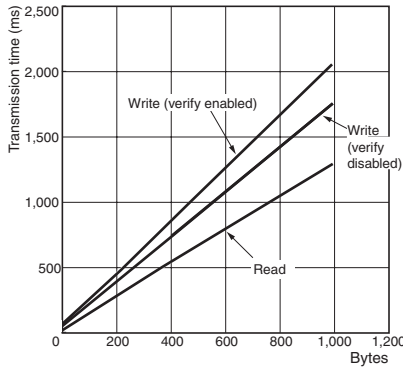
Communications Time

Communications Time between Antennas and Tags

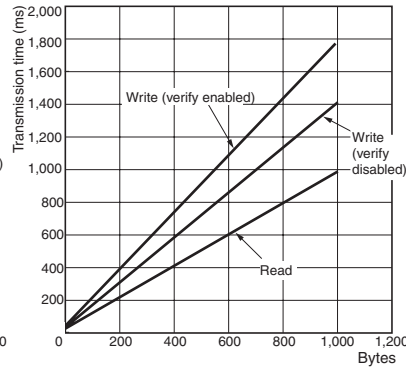
1-Kbyte Memory ID Tag

V680-D1KP□ (used in combination with the V680-HS□□ Read/Write Antenna and V680-HA63A Amplifier Unit)
 V680-D1KP58HT (used in combination with the V680-H01 Read/Write Antenna)

● Transmission speed: Normal mode



● Transmission speed: High-speed mode



Controller or ID Sensor Unit transmission speed setting	Command	Write verification setting	Transmission time (ms) N = Number of processing bytes
Normal mode	Read	---	$T = 1.3N + 31$
	Write	Enabled	$T = 2.1N + 58$
		Disabled	$T = 1.8N + 56$
High-speed mode (See notes 1 and 2.)	Read	---	$T = 1.0N + 29$
	Write	Enabled	$T = 1.8N + 51$
		Disabled	$T = 1.5N + 47$

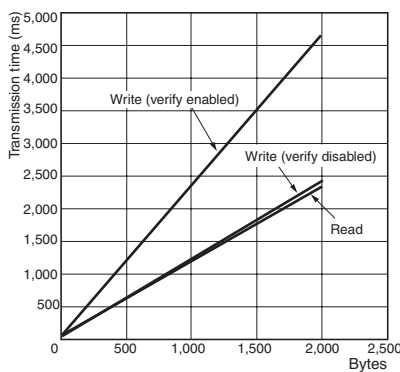
Note 1. The V680-H01 Read/Write Antenna cannot be used in high-speed mode.

2. When multi-access or FIFO is selected as the transmission option, the transmission time will be the same as in normal mode even when the transmission speed is set to high-speed mode.

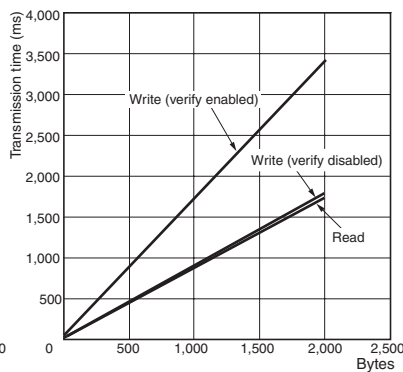
2-Kbyte Memory ID Tag

V680-D2KF□□ (used in combination with the V680-HS□□ Read/Write Antenna and V680-HA63B Amplifier Unit)

● Transmission speed: Normal mode



● Transmission speed: High-speed mode



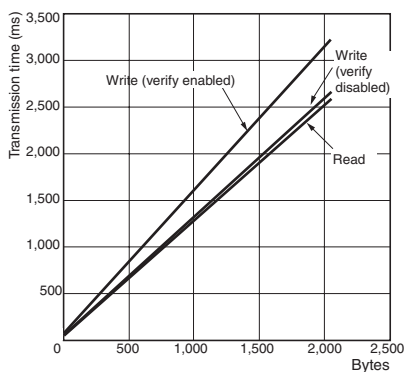
Controller or ID Sensor Unit transmission speed setting	Command	Write verification setting	Transmission time (ms) N = Number of processing bytes
Normal mode	Read	---	$T = 1.2N + 30$
	Write	Enabled	$T = 2.4N + 49$
		Disabled	$T = 1.2N + 49$
High-speed mode (See note.)	Read	---	$T = 0.9N + 27$
	Write	Enabled	$T = 1.7N + 49$
		Disabled	$T = 0.9N + 41$

Note: When multi-access or FIFO is selected as the transmission option, the transmission time will be the same as in normal mode even when the transmission speed is set to high-speed mode.

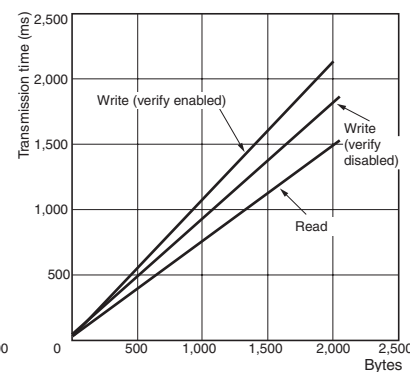
8-/32-Kbyte Memory ID Tag

V680-D8KF□□, V680-D32KF□□ (used in combination with the V680-HS□□ Read/Write Antenna and V680-HA63B Amplifier Unit)

● Transmission speed: Normal mode



● Transmission speed: High-speed mode



Controller or ID Sensor Unit transmission speed setting	Command	Write verification setting	Transmission time (ms) N = Number of processing bytes
Normal mode	Read	---	$T = 1.3N + 30$
	Write	Enabled	$T = 1.6N + 59$
		Disabled	$T = 1.3N + 50$
High-speed mode (See note.)	Read	---	$T = 0.8N + 25$
	Write	Enabled	$T = 1.1N + 41$
		Disabled	$T = 0.9N + 40$

Note: When multi-access or FIFO is selected as the transmission option, the transmission time will be the same as in normal mode even when the transmission speed is set to high-speed mode.

TAT When Using an ID Controller (Reference Values)

TAT (Turn Around Time)

TAT refers to the total time required from the point at which a host device (such as a personal computer) starts sending a command until a response is received.

TAT = Command send time + ID Tag transmission time + response receipt time

Command send time: This is the time required for sending a command from the host device to the Controller. It varies depending on the communications speed and format.

ID Tag transmission time: This is the time required for transmission between the Read/Write Antenna and the ID Tag.

Response receipt time: This is the time required for returning a response from the Controller to the host device. It varies depending on the communications speed and format.

For an ordinary command



1-Kbyte Memory ID Tag

V680-D1KP□ (used in combination with the V680-HS□□ Read/Write Antenna and V680-HA63A Amplifier Unit)

V680-D1KP58HT (used in combination with the V680-H01 Read/Write Antenna)

Controller or ID Sensor Unit transmission speed setting	Command	Write verification setting	Number of bytes to processed (byte)	TAT (ms) (See note 1.)	
Normal mode	Read	---	100	173	
			256	389	
			512	747	
			1,000	1,431	
	Write	Enabled	Enabled	100	280
				256	621
				512	1,184
				1,000	2,258
		Disabled	Disabled	100	248
				256	542
				512	1,028
				1,000	1,956
High-speed mode (See notes 2 and 3.)	Read	---	100	141	
			256	310	
			512	591	
			1,000	1,129	
	Write	Enabled	Enabled	100	243
				256	537
				512	1,023
				1,000	1,951
		Disabled	Disabled	100	209
				256	456
				512	865
				1,000	1,647

Note 1. These are the TAT values for a baud rate of 115,200 bps. For information on the TAT for baud rates other than 115,200 bps, refer to the *User's Manual*.

- The V680-H01 Read/Write Antenna cannot be used in high-speed mode.
- When multi-access or FIFO is selected as the transmission option, the transmission time will be the same as in normal mode even when the transmission speed is set to high-speed mode.
- The value given for TAT data assumes that communications settings for the V680-CA5D01/02-V2 ID Controller are as follows:
Data length: 8 bits, Stop bits: 1, Parity: Odd.
In this example, communications are continuous, with no gaps between characters.
- The number of bytes of TAT data is the number of bytes when ASCII is specified as the code.

2-Kbyte Memory ID Tag

V680-D2KF□□ (used in combination with the V680-HS□□ Read/Write Antenna and V680-HA63B Amplifier Unit)

Controller or ID Sensor Unit transmission speed setting	Command	Write verification setting	Number of bytes to processed (byte)	TAT (ms) (See note 1.)	
Normal mode	Read	---	100	162	
			256	363	
			512	695	
			1,000	1,330	
			2,000	2,620	
	Write	Enabled		100	301
				256	689
				512	1,328
				1,000	2,549
				2,000	5,039
		Disabled		100	181
				256	382
				512	714
				1,000	1,349
High-speed mode (See note 2.)	Read	---	100	132	
			256	286	
			512	541	
			1,000	1,030	
			2,000	2,020	
	Write	Enabled		100	231
				256	510
				512	970
				1,000	1,849
				2,000	3,639
		Disabled		100	143
				256	297
				512	552
				1,000	1,041
			2,000	2,031	

Note 1. These are the TAT values for a baud rate of 115,200 bps. For information on the TAT for baud rates other than 115,200 bps, refer to the *User's Manual*.

2. When multi-access or FIFO is selected as the transmission option, the transmission time will be the same as in normal mode even when the transmission speed is set to high-speed mode.
3. The value given for TAT data assumes that communications settings for the V680-CA5D01/02-V2 ID Controller are as follows:
Data length: 8 bits, Stop bits: 1, Parity: Odd.
In this example, communications are continuous, with no gaps between characters.
4. The number of bytes of TAT data is the number of bytes when ASCII is specified as the code.

8-/32-Kbyte Memory ID Tag

V680-D8KF□□, V680-D32KF□□ (used in combination with the V680-HS□□ Read/Write Antenna and V680-HA63B Amplifier Unit)

Controller or ID Sensor Unit transmission speed setting	Command	Write verification setting	Number of bytes to processed (byte)	TAT (ms) (See note 1.)	
Normal mode	Read	---	100	172	
			256	388	
			512	746	
			1,000	1,430	
			2,000	2,820	
	Write	Yes	Yes	100	231
				256	494
				512	929
				1,000	1,759
				2,000	3,449
		No	No	100	192
				256	408
				512	766
				1,000	1,450
2,000				2,840	
High-speed mode (See note 2.)	Read	---	100	117	
			256	255	
			512	485	
			1,000	925	
			2,000	1,815	
	Write	Yes	Yes	100	163
				256	348
				512	655
				1,000	1,241
				2,000	2,431
		No	No	100	142
				256	296
				512	551
				1,000	1,040
2,000				2,030	

- Note 1.** These are the TAT values for a baud rate of 115,200 bps. For information on the TAT for baud rates other than 115,200 bps, refer to the *User's Manual*.
- 2.** When multi-access or FIFO is selected as the transmission option, the transmission time will be the same as in normal mode even when the transmission speed is set to high-speed mode.
- 3.** The value given for TAT data assumes that communications settings for the V680-CA5D01/02-V2 ID Controller are as follows:
Data length: 8 bits, Stop bits: 1, Parity: Odd.
In this example, communications are continuous, with no gaps between characters.
- 4.** The number of bytes of TAT data is the number of bytes when ASCII is specified as the code.

Safety Precautions

⚠ WARNING

Do not use this product as a detection device to protect people.



Note: This catalog is intended only to help select the appropriate product. Be sure to read the User's Manual for usage precautions prior to using the product.

Precautions for Safe Use

To ensure safety, be sure to follow the following precautions:

1. Do not operate this product in any flammable, explosive, or corrosive gas environment.
2. Do not disassemble, repair, or remodel this product.
3. Tighten the base lock screws and terminal block screws completely.
4. Be sure to use wiring crimp terminals of the specified size.
5. If any cable has a locking mechanism, be sure to check that it has been locked before using it.
6. The DC power supply must be within the specified rating (24 VDC +10%/–15%).
7. Do not reverse the power supply connection.
8. Do not insert water, wire, etc., into any of the gaps in the case. Doing so may cause fire or electric shock.
9. Turn OFF the Controller or ID Sensor Unit power before attaching or removing the Read/Write Antenna.
10. In the event that the product exhibits any abnormal condition, immediately stop using the system, turn OFF the power, and contact your OMRON sales representative.
11. Dispose of this product as industrial waste.
12. Be sure to follow any other warnings, cautions, and notices given in this document.

Precautions for Correct Use

Please observe the following precautions to prevent failure to operate, malfunctions, or undesirable effects on product performance.

Installation Site

Install the product at a location where:

- It is not exposed to corrosive gases, dust, metal chips, or salt.
- The ambient operating temperature is within the range stipulated in the specifications.
- There are no sudden variations in temperature (no condensation).
- The ambient operating humidity is within the range stipulated in the specifications.
- No vibration or shock exceeding the values stipulated in the specifications is transmitted directly to the body of the product.
- It is not subject to splashing water, oil, or chemical substances.

Installation

- The product uses the 13.56-MHz frequency band to communicate with ID Tags. Some devices, such as some motors, inverters, and switching power supplies, generate electromagnetic waves (i.e., noise) that can affect communications with ID Tags. If any of these devices are nearby, communications with ID Tags may be affected or ID Tags may be destroyed. If the product is to be used near such devices, check the effects on communications before using the product.
- To minimize the general influence of noise, observe the following precautions:
 1. Ground any metallic material located around this device to 100 Ω or less.
 2. Keep the product away from high voltage and heavy current.

- Do not use products that are not waterproof in misty environments.
- Do not subject the products to chemicals that adversely affect product materials.
- When installing the product, tighten screws to the following torque:

Controller:	1.2 N·m max.
ID Sensor Unit:	0.4 N·m
V680-HS51 Read/Write Antenna:	6 N·m
V680-HS52 Read/Write Antenna:	40 N·m
V680-HS63 Read/Write Antenna:	1.2 N·m
V680-HS65 Read/Write Antenna:	1.2 N·m

- When Read/Write Antennas are mounted side-by-side, mutual interference may reduce the transmission performance. Refer to the *RFID System Amplifier and Antennas/ID Tags User's Manual* to mount them in a way that will prevent mutual interference.

Storage

Store the product at a location where:

- It is not exposed to corrosive gases, dust, metal chips, or salt.
- The ambient storage temperature is within the range stipulated in the specifications.
- There are no sudden variations in temperature (no condensation).
- The ambient storage humidity is within the range stipulated in the specifications.
- No vibration or shock exceeding the values stipulated in the specifications is transmitted directly to the body of the product.
- It is not subject to splashing water, oil, or chemical substances.

Cleaning

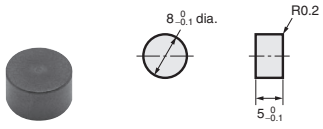
Do not use thinner, benzene, acetone, or kerosene for cleaning. Using these substances may dissolve the resin material and the case.

Dimensions

Note: All units are in millimeters unless otherwise indicated.

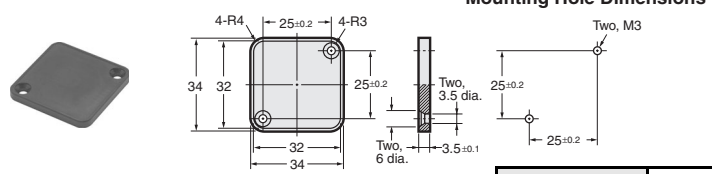
ID Tag

V680-D1KP52MT/-D2KF52M



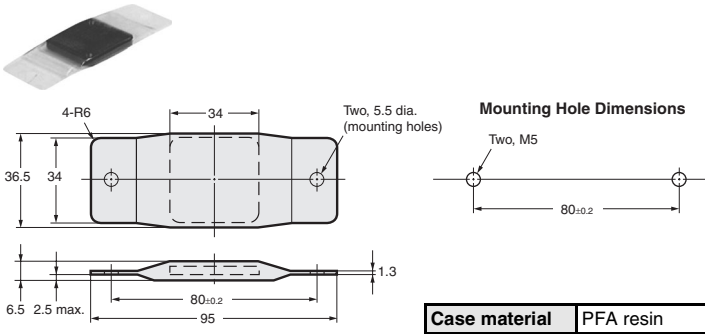
Case material	PPS resin
Filling	Epoxy resin

V680-D1KP66T/-D1KP66MT



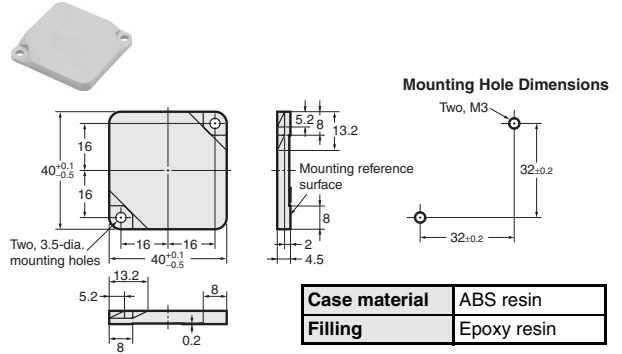
Case material	PPS resin
---------------	-----------

V680-D1KP66T-SP



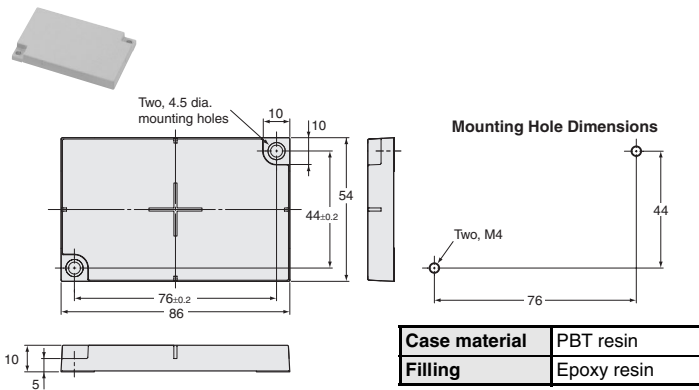
Case material	PFA resin
---------------	-----------

V680-D2KF67/-D2KF67M



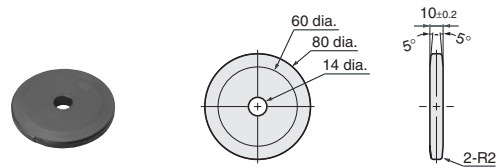
Case material	ABS resin
Filling	Epoxy resin

V680-D8KF68/-D32KF68



Case material	PBT resin
Filling	Epoxy resin

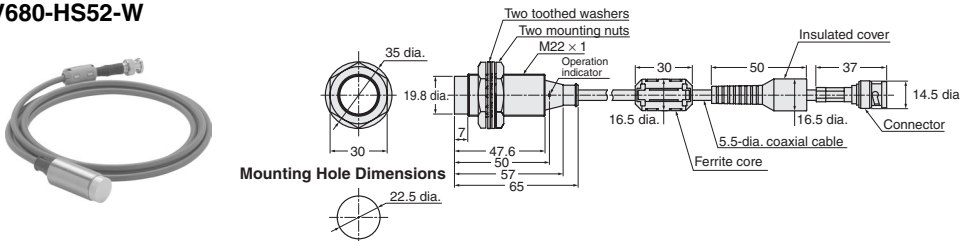
V680-D1KP58HT



Coating	PPS resin
---------	-----------

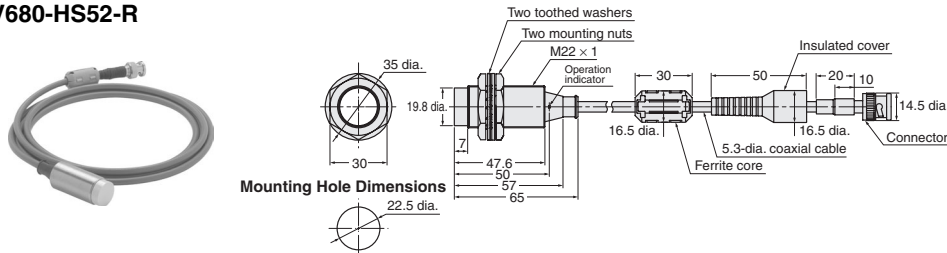
Read/Write Antenna with Detachable Amplifier Unit

V680-HS52-W



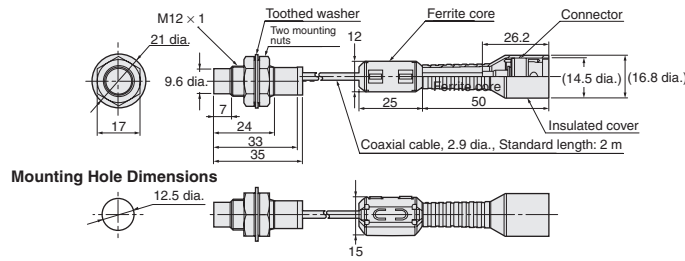
Case material	Brass
Transmission surface	PBT resin
Filling	Epoxy resin
Cable	PVC

V680-HS52-R



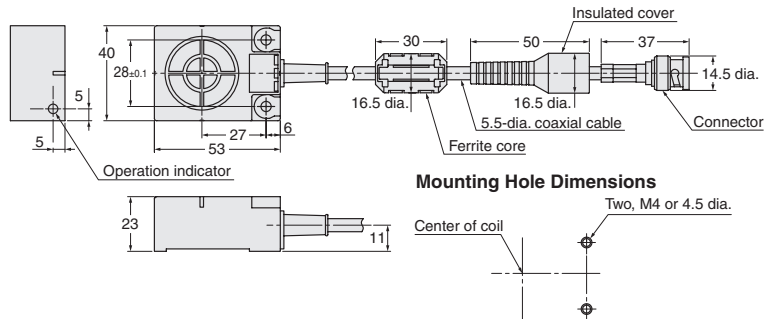
Case material	Brass
Transmission surface	PBT resin
Filling	Epoxy resin
Cable	PVC

V680-HS51



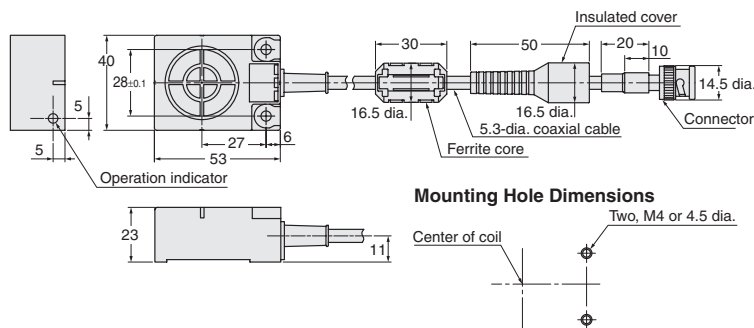
Case material	Brass
Transmission surface	ABS resin
Filling	Epoxy resin
Cable	PVC

V680-HS63-W



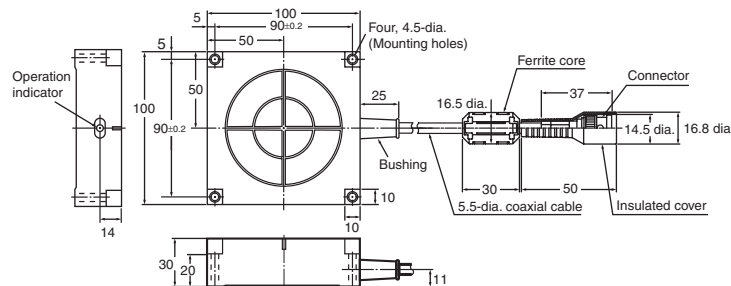
Case material	ABS resin
Filling	Epoxy resin
Cable	PVC

V680-HS63-R



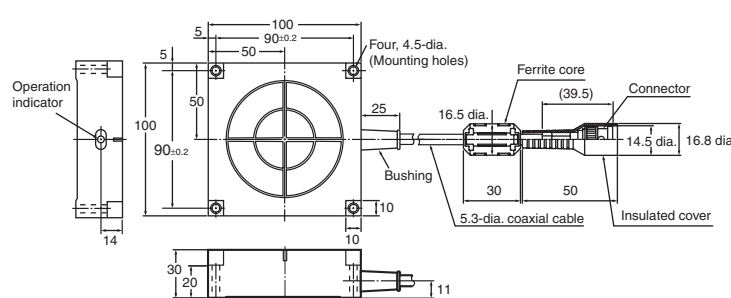
Case material	ABS resin
Filling	Epoxy resin
Cable	PVC

V680-HS65-W



Case material	ABS resin
Filling	Epoxy resin
Cable	PVC (gray)

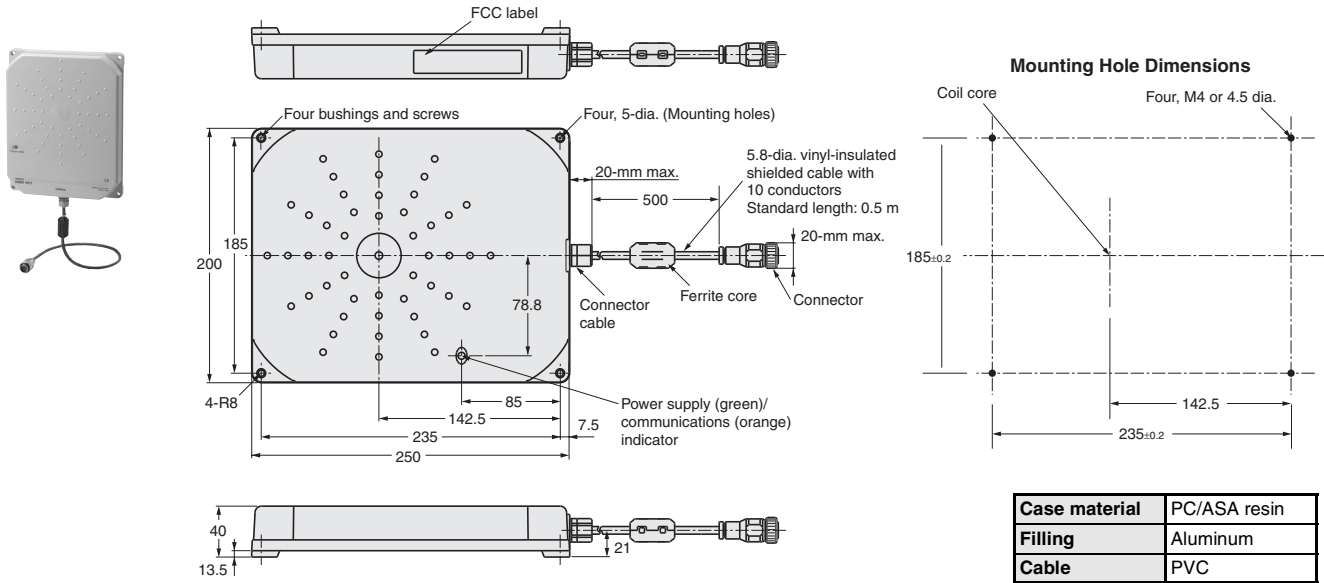
V680-HS65-R



Case material	ABS resin
Filling	Epoxy resin
Cable	PVC (black)

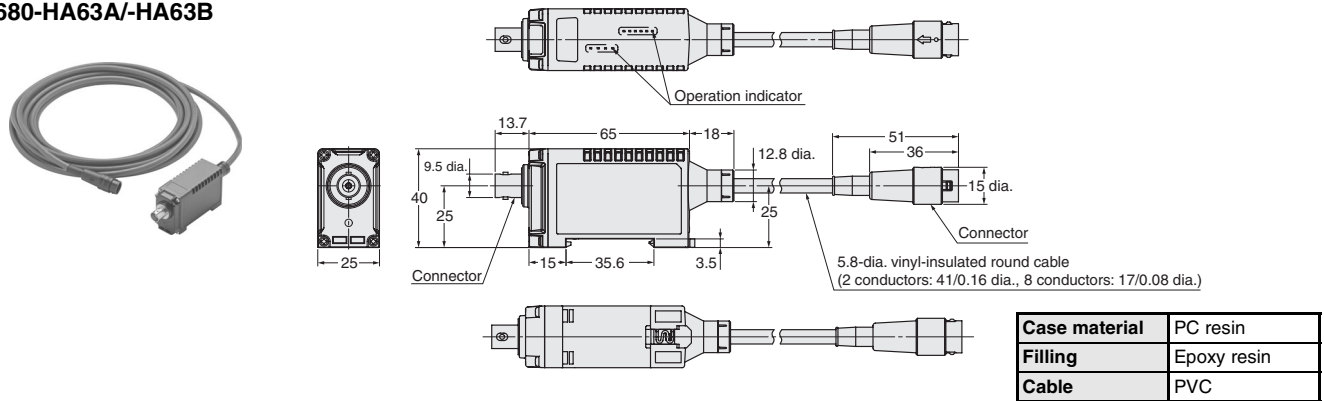
Read/Write Antenna with Built-in Amplifier Unit

V680-H01



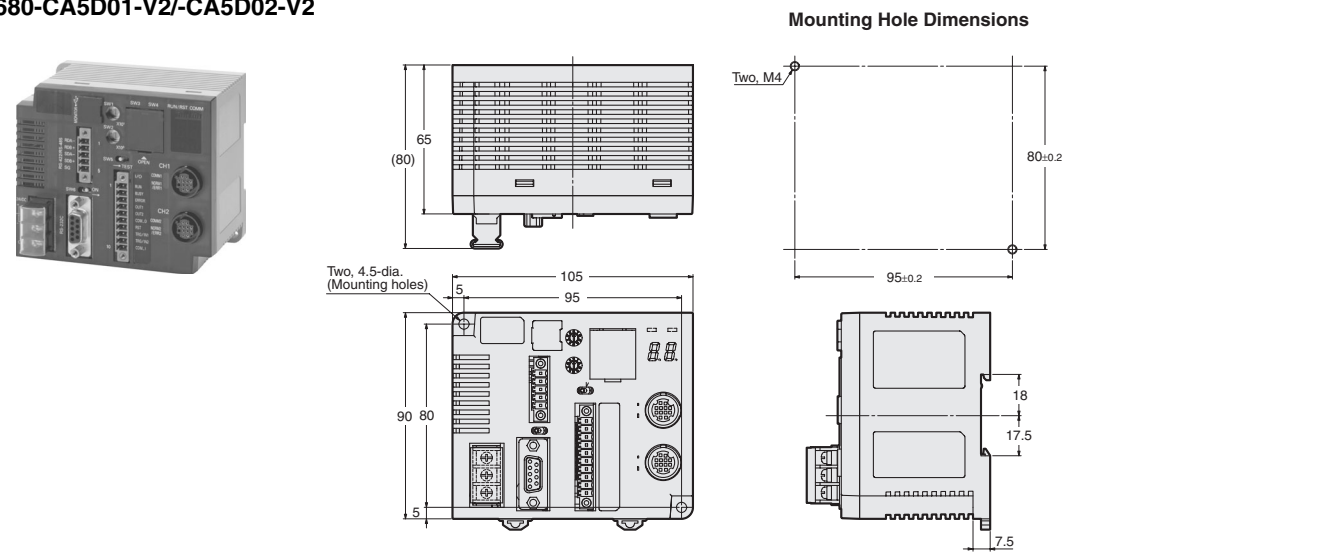
Amplifier Unit

V680-HA63A/-HA63B



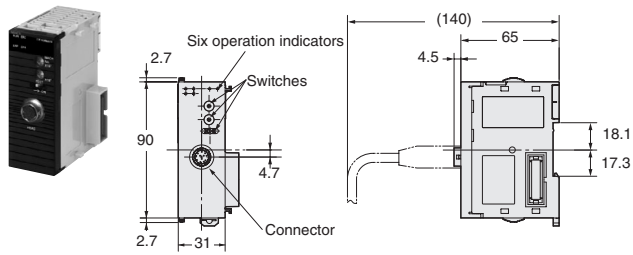
ID Controller

V680-CA5D01-V2/-CA5D02-V2

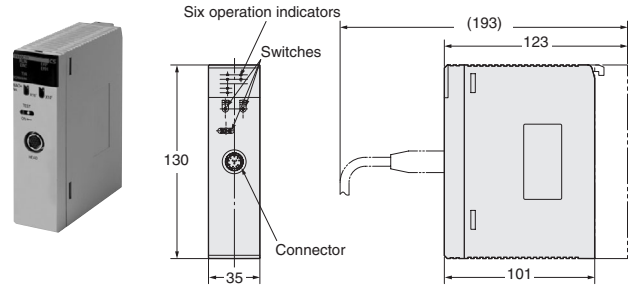


ID Sensor Units

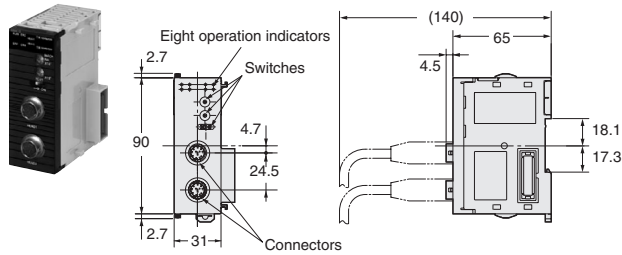
CJ1W-V680C11



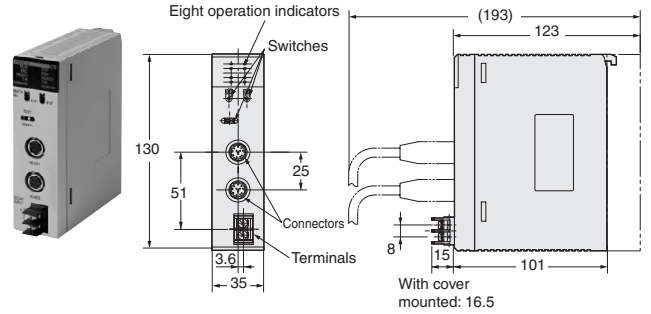
CS1W-V680C11



CJ1W-V680C12

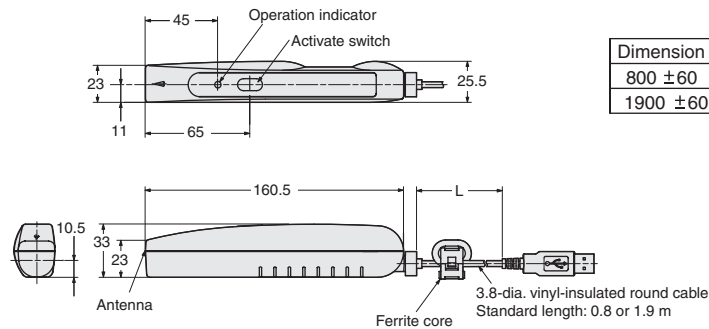


CS1W-V680C12



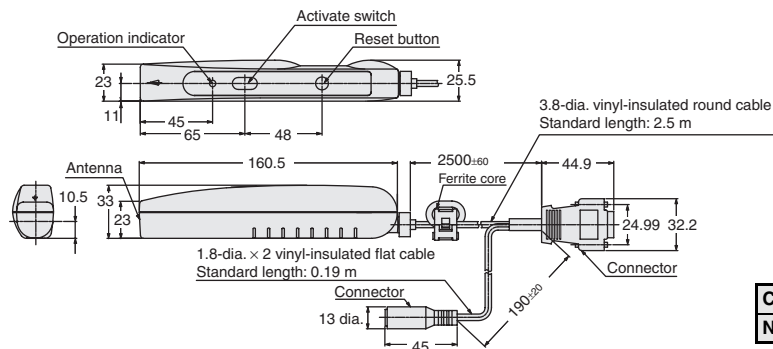
Handheld Reader Writer

V680-CHUD



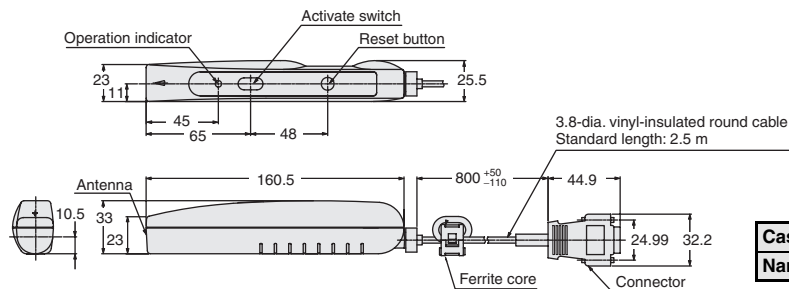
Case material	ABS resin
Nameplate material	PET resin

V680-CH1D



Case material	ABS resin
Nameplate material	PET resin

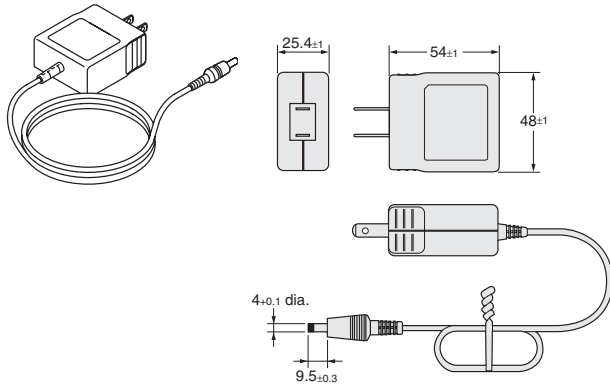
V680-CH1D-PSI



Case material	ABS resin
Nameplate material	PET resin

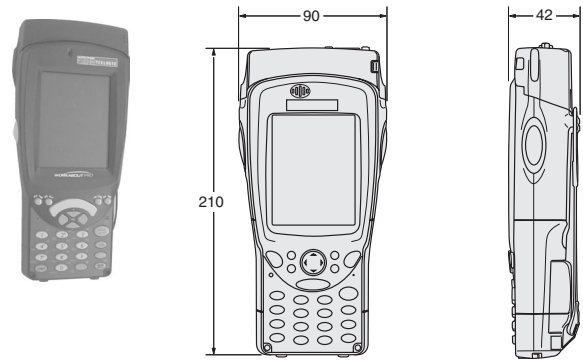
AC Adapter

V600-A22



Handheld Terminal (Recommended)

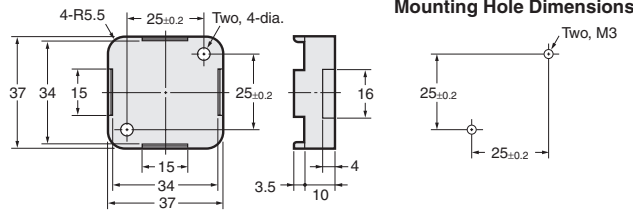
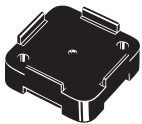
**Recommended Handheld Terminal
Psion Teklogix model 7527S-G2-□□-S
(V680-A-7527S-G2-□□-S)**



Accessories

V680-D1KP66T Attachments

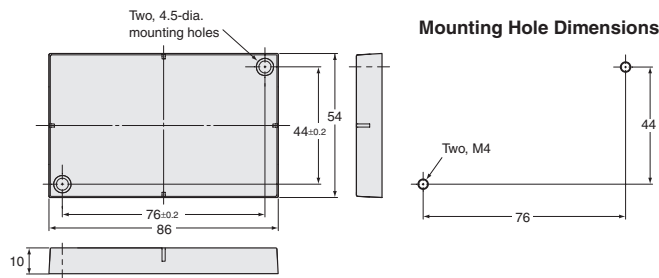
V600-A86 Holder



Case material	PPS resin
----------------------	-----------

V680-D8KF68/-D32KF68 Attachments

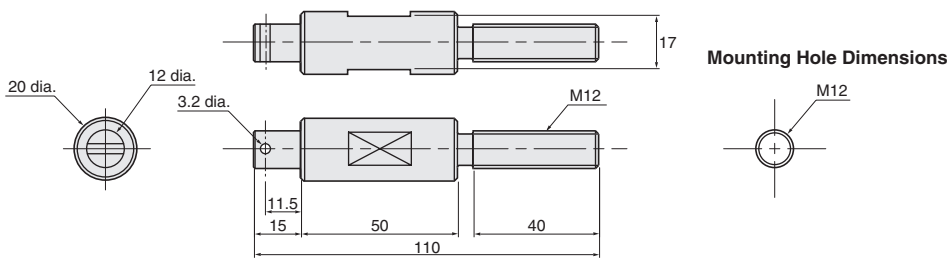
V600-A81 Holder



Case material	PBT resin
Filling	Epoxy resin

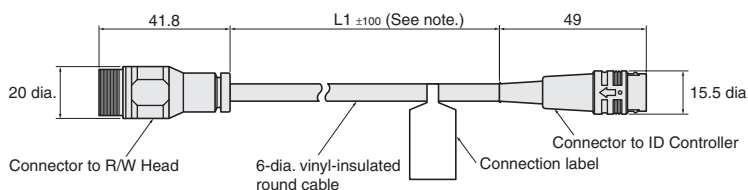
V680-D1KP58HT Attachments

V680-A80



V680-H01 Special Cables

- V700-A40-W 2M
- V700-A40-W 5M
- V700-A40-W 10M
- V700-A40-W 20M
- V700-A40-W 30M



Note: The model numbers for each length (L1) are as follows:

Model	Length L1
V700-A40-W 2M	2,000
V700-A40-W 5M	5,000
V700-A40-W 10M	10,000
V700-A40-W 20M	20,000
V700-A40-W 30M	30,000

Material	PVC
-----------------	-----

READ AND UNDERSTAND THIS DOCUMENT

Please read and understand this document before using the products. Please consult your OMRON representative if you have any questions or comments.

WARRANTY

OMRON's exclusive warranty is that the products are free from defects in materials and workmanship for a period of one year (or other period if specified) from date of sale by OMRON.

OMRON MAKES NO WARRANTY OR REPRESENTATION, EXPRESS OR IMPLIED, REGARDING NON-INFRINGEMENT, MERCHANTABILITY, OR FITNESS FOR PARTICULAR PURPOSE OF THE PRODUCTS. ANY BUYER OR USER ACKNOWLEDGES THAT THE BUYER OR USER ALONE HAS DETERMINED THAT THE PRODUCTS WILL SUITABLY MEET THE REQUIREMENTS OF THEIR INTENDED USE. OMRON DISCLAIMS ALL OTHER WARRANTIES, EXPRESS OR IMPLIED.

LIMITATIONS OF LIABILITY

OMRON SHALL NOT BE RESPONSIBLE FOR SPECIAL, INDIRECT, OR CONSEQUENTIAL DAMAGES, LOSS OF PROFITS OR COMMERCIAL LOSS IN ANY WAY CONNECTED WITH THE PRODUCTS, WHETHER SUCH CLAIM IS BASED ON CONTRACT, WARRANTY, NEGLIGENCE, OR STRICT LIABILITY.

In no event shall responsibility of OMRON for any act exceed the individual price of the product on which liability is asserted.

IN NO EVENT SHALL OMRON BE RESPONSIBLE FOR WARRANTY, REPAIR, OR OTHER CLAIMS REGARDING THE PRODUCTS UNLESS OMRON'S ANALYSIS CONFIRMS THAT THE PRODUCTS WERE PROPERLY HANDLED, STORED, INSTALLED, AND MAINTAINED AND NOT SUBJECT TO CONTAMINATION, ABUSE, MISUSE, OR INAPPROPRIATE MODIFICATION OR REPAIR.

SUITABILITY FOR USE

THE PRODUCTS CONTAINED IN THIS DOCUMENT ARE NOT SAFETY RATED. THEY ARE NOT DESIGNED OR RATED FOR ENSURING SAFETY OF PERSONS, AND SHOULD NOT BE RELIED UPON AS A SAFETY COMPONENT OR PROTECTIVE DEVICE FOR SUCH PURPOSES. Please refer to separate catalogs for OMRON's safety rated products.

OMRON shall not be responsible for conformity with any standards, codes, or regulations that apply to the combination of products in the customer's application or use of the product.

At the customer's request, OMRON will provide applicable third party certification documents identifying ratings and limitations of use that apply to the products. This information by itself is not sufficient for a complete determination of the suitability of the products in combination with the end product, machine, system, or other application or use.

The following are some examples of applications for which particular attention must be given. This is not intended to be an exhaustive list of all possible uses of the products, nor is it intended to imply that the uses listed may be suitable for the products:

- Outdoor use, uses involving potential chemical contamination or electrical interference, or conditions or uses not described in this document.
- Nuclear energy control systems, combustion systems, railroad systems, aviation systems, medical equipment, amusement machines, vehicles, safety equipment, and installations subject to separate industry or government regulations.
- Systems, machines, and equipment that could present a risk to life or property.

Please know and observe all prohibitions of use applicable to the products.

NEVER USE THE PRODUCTS FOR AN APPLICATION INVOLVING SERIOUS RISK TO LIFE OR PROPERTY WITHOUT ENSURING THAT THE SYSTEM AS A WHOLE HAS BEEN DESIGNED TO ADDRESS THE RISKS, AND THAT THE OMRON PRODUCT IS PROPERLY RATED AND INSTALLED FOR THE INTENDED USE WITHIN THE OVERALL EQUIPMENT OR SYSTEM.

PERFORMANCE DATA

Performance data given in this document is provided as a guide for the user in determining suitability and does not constitute a warranty. It may represent the result of OMRON's test conditions, and the users must correlate it to actual application requirements. Actual performance is subject to the OMRON Warranty and Limitations of Liability.

CHANGE IN SPECIFICATIONS

Product specifications and accessories may be changed at any time based on improvements and other reasons.

It is our practice to change model numbers when published ratings or features are changed, or when significant construction changes are made. However, some specifications of the product may be changed without any notice. When in doubt, special model numbers may be assigned to fix or establish key specifications for your application on your request. Please consult with your OMRON representative at any time to confirm actual specifications of purchased products.

DIMENSIONS AND WEIGHTS

Dimensions and weights are nominal and are not to be used for manufacturing purposes, even when tolerances are shown.

ERRORS AND OMISSIONS

The information in this document has been carefully checked and is believed to be accurate; however, no responsibility is assumed for clerical, typographical, or proofreading errors, or omissions.

PROGRAMMABLE PRODUCTS

OMRON shall not be responsible for the user's programming of a programmable product, or any consequence thereof.

COPYRIGHT AND COPY PERMISSION

This document shall not be copied for sales or promotions without permission.

This document is protected by copyright and is intended solely for use in conjunction with the product. Please notify us before copying or reproducing this document in any manner, for any other purpose. If copying or transmitting this document to another, please copy or transmit it in its entirety.

ALL DIMENSIONS SHOWN ARE IN MILLIMETERS.

To convert millimeters into inches, multiply by 0.03937. To convert grams into ounces, multiply by 0.03527.

OMRON Corporation Industrial Automation Company Sensing Devices Division H.Q.

Industrial Sensors Division
Shiokoji Horikawa, Shimogyo-ku,
Kyoto, 600-8530 Japan
Tel: (81)75-344-7022/Fax: (81)75-344-7107

Regional Headquarters

OMRON EUROPE B.V.
Sensor Business Unit
Carl-Benz-Str. 4, D-71154 Nufringen,
Germany
Tel: (49) 7032-811-0/Fax: (49) 7032-811-199

OMRON ELECTRONICS LLC
One Commerce Drive Schaumburg,
IL 60173-5302 U.S.A.
Tel: (1) 847-843-7900/Fax: (1) 847-843-7787

OMRON ASIA PACIFIC PTE. LTD.
No. 438A Alexandra Road # 05-05/08 (Lobby 2),
Alexandra Technopark, Singapore 119967
Tel: (65) 6835-3011/Fax: (65) 6835-2711

OMRON (CHINA) CO., LTD.
Room 2211, Bank of China Tower,
200 Yin Cheng Zhong Road,
PuDong New Area, Shanghai, 200120, China
Tel: (86) 21-5037-2222/Fax: (86) 21-5037-2200

Authorized Distributor:

In the interest of product improvement,
specifications are subject to change without notice.